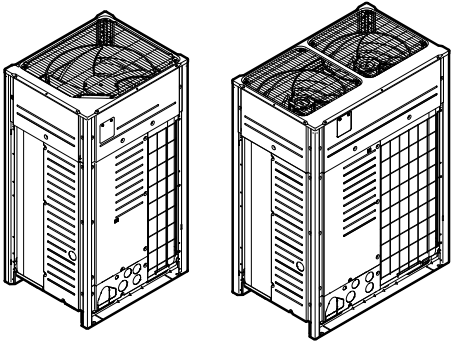




Installer and user reference guide
VRV IV+ heat pump for high ambient
temperatures



VRV IV⁺

RXYTQ8U5YF
RXYTQ10U5YF
RXYTQ12U5YF
RXYTQ14U5YF
RXYTQ16U5YF

RXYTQ8U7YF
RXYTQ10U7YF
RXYTQ12U7YF
RXYTQ14U7YF
RXYTQ16U7YF

Table of contents

1	About the documentation	6
1.1	About this document.....	6
1.2	Meaning of warnings and symbols	6
2	General safety precautions	8
2.1	For the installer	8
2.1.1	General.....	8
2.1.2	Installation site.....	9
2.1.3	Refrigerant — in case of R410A or R32.....	9
2.1.4	Electrical.....	11
3	Specific installer safety instructions	14
For the user		17
4	User safety instructions	18
4.1	General	18
4.2	Instructions for safe operation	19
5	About the system	22
5.1	System layout	22
6	User interface	23
7	Operation	24
7.1	Before operation	24
7.2	Operation range	24
7.3	Operating the system.....	25
7.3.1	About operating the system.....	25
7.3.2	About cooling, heating, fan only, and automatic operation.....	25
7.3.3	About the heating operation.....	25
7.3.4	To operate the system (WITHOUT cool/heat changeover remote control switch).....	26
7.3.5	To operate the system (WITH cool/heat changeover remote control switch).....	26
7.4	Using the dry program	27
7.4.1	About the dry program	27
7.4.2	To use the dry program (WITHOUT cool/heat changeover remote control switch).....	27
7.4.3	To use the dry program (WITH cool/heat changeover remote control switch).....	28
7.5	Adjusting the air flow direction.....	28
7.5.1	About the air flow flap.....	28
7.6	Setting the master user interface	29
7.6.1	About setting the master user interface	29
7.6.2	To designate the master user interface (VRV DX and Hydrobox).....	30
7.7	About control systems	30
8	Energy saving and optimum operation	31
8.1	Available main operation methods.....	31
8.2	Available comfort settings.....	32
9	Maintenance and service	33
9.1	Maintenance after a long stop period	33
9.2	Maintenance before a long stop period	34
9.3	About the refrigerant	34
9.4	After-sales service and warranty	34
9.4.1	Warranty period	34
9.4.2	Recommended maintenance and inspection	35
9.4.3	Recommended maintenance and inspection cycles.....	35
9.4.4	Shortened maintenance and replacement cycles.....	36
10	Troubleshooting	37
10.1	Error codes: Overview.....	38
10.2	Symptoms that are NOT system malfunctions	41
10.2.1	Symptom: The system does not operate	41
10.2.2	Symptom: Cool/Heat cannot be changed over	41
10.2.3	Symptom: Fan operation is possible, but cooling and heating do not work.....	41
10.2.4	Symptom: The fan speed does not correspond to the setting.....	41
10.2.5	Symptom: The fan direction does not correspond to the setting.....	41

10.2.6	Symptom: White mist comes out of a unit (Indoor unit).....	42
10.2.7	Symptom: White mist comes out of a unit (Indoor unit, outdoor unit).....	42
10.2.8	Symptom: The user interface reads "U4" or "U5" and stops, but then restarts after a few minutes.....	42
10.2.9	Symptom: Noise of air conditioners (Indoor unit).....	42
10.2.10	Symptom: Noise of air conditioners (Indoor unit, outdoor unit).....	42
10.2.11	Symptom: Noise of air conditioners (Outdoor unit).....	42
10.2.12	Symptom: Dust comes out of the unit.....	43
10.2.13	Symptom: The units can give off odours.....	43
10.2.14	Symptom: The outdoor unit fan does not spin.....	43
10.2.15	Symptom: The display shows "88".....	43
10.2.16	Symptom: The compressor in the outdoor unit does not stop after a short heating operation.....	43
10.2.17	Symptom: The inside of an outdoor unit is warm even when the unit has stopped.....	43
10.2.18	Symptom: Hot air can be felt when the indoor unit is stopped.....	43
11	Relocation	44
12	Disposal	45
13	Technical data	46
13.1	Eco Design requirements.....	46
For the installer		47
14	About the box	48
14.1	About LOOP BY DAIKIN.....	49
14.2	Outdoor unit.....	49
14.2.1	To unpack the outdoor unit.....	49
14.2.2	To remove the accessories from the outdoor unit.....	49
14.2.3	Accessory pipes: Diameters.....	50
14.2.4	To remove the transportation stay.....	50
15	About the units and options	52
15.1	Identification label: Outdoor unit.....	52
15.2	About the outdoor unit.....	52
15.3	System layout.....	53
15.4	Combining units and options.....	54
15.4.1	About combining units and options.....	54
15.4.2	Possible combinations of indoor units.....	54
15.4.3	Possible combinations of outdoor units.....	54
15.4.4	Possible options for the outdoor unit.....	55
16	Unit installation	57
16.1	Preparing the installation site.....	57
16.1.1	Installation site requirements of the outdoor unit.....	57
16.1.2	Securing safety against refrigerant leaks.....	59
16.2	Opening the unit.....	61
16.2.1	About opening the units.....	61
16.2.2	To open the outdoor unit.....	61
16.2.3	To open the switch box of the outdoor unit.....	61
16.3	Mounting the outdoor unit.....	62
16.3.1	To provide the installation structure.....	62
16.3.2	To install the outdoor unit.....	63
17	Piping installation	64
17.1	Preparing refrigerant piping.....	64
17.1.1	Refrigerant piping requirements.....	64
17.1.2	Refrigerant piping insulation.....	65
17.1.3	To select the piping size.....	65
17.1.4	To select refrigerant branch kits.....	67
17.1.5	About the piping length.....	68
17.1.6	Piping length: VRV DX only.....	69
17.1.7	Piping length: AHU.....	72
17.1.8	Multiple outdoor units: Possible layouts.....	74
17.2	Connecting the refrigerant piping.....	75
17.2.1	About connecting the refrigerant piping.....	75
17.2.2	Precautions when connecting the refrigerant piping.....	76
17.2.3	Multiple outdoor units: Knockout holes.....	76
17.2.4	Using the stop valve and service port.....	77
17.2.5	To route the refrigerant piping.....	79
17.2.6	To protect against contamination.....	79

17.2.7	To remove the pinched pipes	80
17.2.8	To braze the pipe end	81
17.2.9	To connect the refrigerant piping to the outdoor unit	82
17.2.10	To connect the multi connection piping kit	82
17.2.11	To connect the refrigerant branching kit	83
17.3	Checking the refrigerant piping	84
17.3.1	About checking the refrigerant piping	84
17.3.2	Checking refrigerant piping: General guidelines	85
17.3.3	Checking refrigerant piping: Setup	85
17.3.4	To perform a leak test	86
17.3.5	To perform vacuum drying	87
17.3.6	To insulate the refrigerant piping	87
18	Charging refrigerant	89
18.1	Precautions when charging refrigerant	89
18.2	About charging refrigerant	90
18.3	To determine the additional refrigerant amount	90
18.4	To charge refrigerant: Flow chart	92
18.5	To charge refrigerant	93
18.6	Step 6: To manually charge refrigerant	95
18.7	Error codes when charging refrigerant	96
18.8	Checks after charging refrigerant	96
19	Electrical installation	98
19.1	About connecting the electrical wiring	98
19.1.1	Precautions when connecting the electrical wiring	98
19.1.2	Field wiring: Overview	100
19.1.3	About the electrical wiring	100
19.1.4	Guidelines for making knockout holes	102
19.1.5	Safety device requirements	102
19.2	To route and fix the interconnection wiring	103
19.3	To connect the interconnection wiring	104
19.4	To finish the interconnection wiring	105
19.5	To route and fix the power supply	106
19.6	To connect the power supply	106
19.7	To check the insulation resistance of the compressor	108
20	Configuration	109
20.1	Making field settings	109
20.1.1	About making field settings	109
20.1.2	Field setting components	110
20.1.3	To access the field setting components	110
20.1.4	To access mode 1 or 2	111
20.1.5	To use mode 1	112
20.1.6	To use mode 2	113
20.1.7	Mode 1: monitoring settings	114
20.1.8	Mode 2: field settings	116
20.1.9	To connect the PC configurator to the outdoor unit	120
20.2	Energy saving and optimum operation	120
20.2.1	Available main operation methods	120
20.2.2	Available comfort settings	122
20.2.3	Example: Automatic mode during cooling	123
20.2.4	Example: Automatic mode during heating	124
21	Commissioning	126
21.1	Overview: Commissioning	126
21.2	Precautions when commissioning	126
21.3	Checklist before commissioning	127
21.4	About the system test run	128
21.5	To perform a test run	129
21.6	Correcting after abnormal completion of the test run	130
21.7	Operating the unit	130
22	Hand-over to the user	131
23	Maintenance and service	132
23.1	Maintenance safety precautions	132
23.1.1	To prevent electrical hazards	132
23.2	About service mode operation	133
23.2.1	To use vacuum mode	133
23.2.2	To recover refrigerant	134

24 Troubleshooting	135
24.1 Solving problems based on error codes	135
24.2 Error codes: Overview	135
25 Disposal	141
26 Technical data	142
26.1 Service space: Outdoor unit	142
26.2 Piping diagram: Outdoor unit	144
26.3 Wiring diagram: Outdoor unit.....	146
27 Glossary	151

1 About the documentation

In this chapter

1.1	About this document.....	6
1.2	Meaning of warnings and symbols.....	6

1.1 About this document

Target audience

Authorised installers + end users



INFORMATION

This appliance is intended to be used by expert or trained users in shops, in light industry and on farms, or for commercial use by lay persons.

Documentation set

This document is part of a documentation set. The complete set consists of:

- **General safety precautions:**
 - Safety instructions that you must read before installing
 - Format: paper (in the box of the outdoor unit)
- **Outdoor unit installation and operation manual:**
 - Installation and operation instructions
 - Format: paper (in the box of the outdoor unit)
- **Installer and user reference guide:**
 - Preparation of the installation, reference data,...
 - Detailed step-by-step instructions and background information for basic and advanced usage
 - Format: Digital files on <https://www.daikin.eu>. Use the search function 🔍 to find your model.

The latest revision of the supplied documentation is published on the regional Daikin website and is available via your dealer.

The original instructions are written in English. All other languages are translations of the original instructions.

Technical engineering data

- A **subset** of the latest technical data is available on the regional Daikin website (publicly accessible).
- The **full set** of the latest technical data is available on the Daikin Business Portal (authentication required).

1.2 Meaning of warnings and symbols



DANGER

Indicates a situation that results in death or serious injury.

**DANGER: RISK OF ELECTROCUTION**

Indicates a situation that could result in electrocution.

**DANGER: RISK OF BURNING/SCALDING**

Indicates a situation that could result in burning/scalding because of extreme hot or cold temperatures.

**DANGER: RISK OF EXPLOSION**

Indicates a situation that could result in explosion.

**WARNING**

Indicates a situation that could result in death or serious injury.

**WARNING: FLAMMABLE MATERIAL****CAUTION**

Indicates a situation that could result in minor or moderate injury.

**NOTICE**

Indicates a situation that could result in equipment or property damage.

**INFORMATION**

Indicates useful tips or additional information.

Symbols used on the unit:

Symbol	Explanation
	Before installation, read the installation and operation manual, and the wiring instruction sheet.
	Before performing maintenance and service tasks, read the service manual.
	For more information, see the installer and user reference guide.
	The unit contains rotating parts. Be careful when servicing or inspecting the unit.

Symbols used in the documentation:

Symbol	Explanation
	Indicates a figure title or a reference to it. Example: "▲ 1-3 Figure title" means "Figure 3 in chapter 1".
	Indicates a table title or a reference to it. Example: "■ 1-3 Table title" means "Table 3 in chapter 1".

2 General safety precautions

In this chapter

2.1	For the installer.....	8
2.1.1	General.....	8
2.1.2	Installation site.....	9
2.1.3	Refrigerant — in case of R410A or R32.....	9
2.1.4	Electrical.....	11

2.1 For the installer

2.1.1 General

If you are NOT sure how to install or operate the unit, contact your dealer.



DANGER: RISK OF BURNING/SCALDING

- Do NOT touch the refrigerant piping, water piping or internal parts during and immediately after operation. It could be too hot or too cold. Give it time to return to normal temperature. If you MUST touch it, wear protective gloves.
- Do NOT touch any accidental leaking refrigerant.



WARNING

Improper installation or attachment of equipment or accessories could result in electrical shock, short-circuit, leaks, fire or other damage to the equipment. ONLY use accessories, optional equipment and spare parts made or approved by Daikin unless otherwise specified.



WARNING

Make sure installation, testing and applied materials comply with applicable legislation (on top of the instructions described in the Daikin documentation).



WARNING

Tear apart and throw away plastic packaging bags so that nobody, especially children, can play with them. **Possible consequence:** suffocation.



WARNING

Provide adequate measures to prevent that the unit can be used as a shelter by small animals. Small animals that make contact with electrical parts can cause malfunctions, smoke or fire.



CAUTION

Wear adequate personal protective equipment (protective gloves, safety glasses,...) when installing, maintaining or servicing the system.



CAUTION

Do NOT touch the air inlet or aluminium fins of the unit.

**CAUTION**

- Do NOT place any objects or equipment on top of the unit.
- Do NOT sit, climb or stand on the unit.

**NOTICE**

Works executed on the outdoor unit are best done under dry weather conditions to avoid water ingress.

In accordance with the applicable legislation, it might be necessary to provide a logbook with the product containing at least: information on maintenance, repair work, results of tests, stand-by periods,...

Also, at least, following information MUST be provided at an accessible place at the product:

- Instructions for shutting down the system in case of an emergency
- Name and address of fire department, police and hospital
- Name, address and day and night telephone numbers for obtaining service

In Europe, EN378 provides the necessary guidance for this logbook.

2.1.2 Installation site

- Provide sufficient space around the unit for servicing and air circulation.
- Make sure the installation site withstands the weight and vibration of the unit.
- Make sure the area is well ventilated. Do NOT block any ventilation openings.
- Make sure the unit is level.

Do NOT install the unit in the following places:

- In potentially explosive atmospheres.
- In places where there is machinery that emits electromagnetic waves. Electromagnetic waves may disturb the control system, and cause malfunction of the equipment.
- In places where there is a risk of fire due to the leakage of flammable gases (example: thinner or gasoline), carbon fibre, ignitable dust.
- In places where corrosive gas (example: sulphurous acid gas) is produced. Corrosion of copper pipes or soldered parts may cause the refrigerant to leak.

2.1.3 Refrigerant — in case of R410A or R32

If applicable. See the installation manual or installer reference guide of your application for more information.

**DANGER: RISK OF EXPLOSION**

Pump down – Refrigerant leakage. If you want to pump down the system, and there is a leak in the refrigerant circuit:

- Do NOT use the unit's automatic pump down function, with which you can collect all refrigerant from the system into the outdoor unit. **Possible consequence:** Self-combustion and explosion of the compressor because of air going into the operating compressor.
- Use a separate recovery system so that the unit's compressor does NOT have to operate.



WARNING

During tests, NEVER pressurise the product with a pressure higher than the maximum allowable pressure (as indicated on the nameplate of the unit).



WARNING

Take sufficient precautions in case of refrigerant leakage. If refrigerant gas leaks, ventilate the area immediately. Possible risks:

- Excessive refrigerant concentrations in a closed room can lead to oxygen deficiency.
- Toxic gas might be produced if refrigerant gas comes into contact with fire.



WARNING

ALWAYS recover the refrigerant. Do NOT release them directly into the environment. Use a vacuum pump to evacuate the installation.



WARNING

Make sure there is no oxygen in the system. Refrigerant may ONLY be charged after performing the leak test and the vacuum drying.

Possible consequence: Self-combustion and explosion of the compressor because of oxygen going into the operating compressor.



NOTICE

- To avoid compressor breakdown, do NOT charge more than the specified amount of refrigerant.
- When the refrigerant system is to be opened, refrigerant MUST be treated according to the applicable legislation.



NOTICE

Make sure refrigerant piping installation complies with applicable legislation. In Europe, EN378 is the applicable standard.



NOTICE



Make sure the field piping and connections are NOT subjected to stress.



NOTICE

After all the piping has been connected, make sure there is no gas leak. Use nitrogen to perform a gas leak detection.

- In case recharge is required, see the nameplate or the refrigerant charge label of the unit. It states the type of refrigerant and necessary amount.
- Whether the unit is factory charged with refrigerant or non-charged, in both cases you might need to charge additional refrigerant, depending on the pipe sizes and pipe lengths of the system.
- ONLY use tools exclusively for the refrigerant type used in the system, this to ensure pressure resistance and prevent foreign materials from entering into the system.
- Charge the liquid refrigerant as follows:

If	Then
A siphon tube is present (i.e., the cylinder is marked with "Liquid filling siphon attached")	Charge with the cylinder upright. 
A siphon tube is NOT present	Charge with the cylinder upside down. 

- Open refrigerant cylinders slowly.
- Charge the refrigerant in liquid form. Adding it in gas form may prevent normal operation.



CAUTION

When the refrigerant charging procedure is done or when pausing, close the valve of the refrigerant tank immediately. If the valve is NOT closed immediately, remaining pressure might charge additional refrigerant. **Possible consequence:** Incorrect refrigerant amount.

2.1.4 Electrical



DANGER: RISK OF ELECTROCUTION

- Turn OFF all power supply before removing the switch box cover, connecting electrical wiring or touching electrical parts.
- Disconnect the power supply for more than 10 minutes, and measure the voltage at the terminals of main circuit capacitors or electrical components before servicing. The voltage MUST be less than 50 V DC before you can touch electrical components. For the location of the terminals, see the wiring diagram.
- Do NOT touch electrical components with wet hands.
- Do NOT leave the unit unattended when the service cover is removed.



WARNING

If NOT factory installed, a main switch or other means for disconnection, having a contact separation in all poles providing full disconnection under overvoltage category III condition, MUST be installed in the fixed wiring.



WARNING

- ONLY use copper wires.
- Make sure the field wiring complies with the national wiring regulations.
- All field wiring MUST be performed in accordance with the wiring diagram supplied with the product.
- NEVER squeeze bundled cables and make sure they do NOT come in contact with the piping and sharp edges. Make sure no external pressure is applied to the terminal connections.
- Make sure to install earth wiring. Do NOT earth the unit to a utility pipe, surge absorber, or telephone earth. Incomplete earth may cause electrical shock.
- Make sure to use a dedicated power circuit. NEVER use a power supply shared by another appliance.
- Make sure to install the required fuses or circuit breakers.
- Make sure to install an earth leakage protector. Failure to do so may cause electrical shock or fire.
- When installing the earth leakage protector, make sure it is compatible with the inverter (resistant to high frequency electric noise) to avoid unnecessary opening of the earth leakage protector.



WARNING

- After finishing the electrical work, confirm that each electrical component and terminal inside the switch box is connected securely.
- Make sure all covers are closed before starting up the unit.



CAUTION

- When connecting the power supply: connect the earth cable first, before making the current-carrying connections.
- When disconnecting the power supply: disconnect the current-carrying cables first, before separating the earth connection.
- The length of the conductors between the power supply stress relief and the terminal block itself MUST be as such that the current-carrying wires are tightened before the earth wire is in case the power supply is pulled loose from the stress relief.



NOTICE

Precautions when laying power wiring:



- Do NOT connect wiring of different thicknesses to the power terminal block (slack in the power wiring may cause abnormal heat).
- When connecting wiring which is the same thickness, do as shown in the figure above.
- For wiring, use the designated power wire and connect firmly, then secure to prevent outside pressure being exerted on the terminal board.
- Use an appropriate screwdriver for tightening the terminal screws. A screwdriver with a small head will damage the head and make proper tightening impossible.
- Over-tightening the terminal screws may break them.

Install power cables at least 1 meter away from televisions or radios to prevent interference. Depending on the radio waves, a distance of 1 meter may NOT be sufficient.



NOTICE

ONLY applicable if the power supply is three-phase, and the compressor has an ON/OFF starting method.

If there exists the possibility of reversed phase after a momentary black out and the power goes ON and OFF while the product is operating, attach a reversed phase protection circuit locally. Running the product in reversed phase can break the compressor and other parts.

3 Specific installer safety instructions

Always observe the following safety instructions and regulations.



WARNING

Tear apart and throw away plastic packaging bags so that nobody, especially children, can play with them. **Possible consequence:** suffocation.



CAUTION

Appliance NOT accessible to the general public, install it in a secured area, protected from easy access.

This unit, both indoor and outdoor, is suitable for installation in a commercial and light industrial environment.



CAUTION

Excessive refrigerant concentrations in a closed room can lead to oxygen deficiency.



DANGER: RISK OF ELECTROCUTION

Do NOT leave the unit unattended when the service cover is removed.



DANGER: RISK OF BURNING/SCALDING



DANGER: RISK OF ELECTROCUTION



WARNING

Take sufficient precautions in case of refrigerant leakage. If refrigerant gas leaks, ventilate the area immediately. Possible risks:

- Excessive refrigerant concentrations in a closed room can lead to oxygen deficiency.
- Toxic gas might be produced if refrigerant gas comes into contact with fire.



WARNING

ALWAYS recover the refrigerant. Do NOT release them directly into the environment. Use a vacuum pump to evacuate the installation.



WARNING

During tests, NEVER pressurise the product with a pressure higher than the maximum allowable pressure (as indicated on the nameplate of the unit).



CAUTION

Do NOT vent gases into the atmosphere.



WARNING

Any gas or oil remaining inside the stop valve may blow off the spun piping.

If these instructions are NOT followed correctly it may result in property damage or personal injury, which may be serious depending on the circumstances.

**WARNING**

NEVER remove the spun piping by brazing.

Any gas or oil remaining inside the stop valve may blow off the spun piping.

**WARNING**

- ONLY use R410A as refrigerant. Other substances may cause explosions and accidents.
- R410A contains fluorinated greenhouse gases. Its global warming potential (GWP) value is 2087.5. Do NOT vent these gases into the atmosphere.
- When charging refrigerant, ALWAYS use protective gloves and safety glasses.

**CAUTION**

Do NOT push or place redundant cable length into the unit.

**WARNING**

- If the power supply has a missing or wrong N-phase, equipment might break down.
- Establish proper earthing. Do NOT earth the unit to a utility pipe, surge absorber, or telephone earth. Incomplete earthing may cause electrical shocks.
- Install the required fuses or circuit breakers.
- Secure the electrical wiring with cable ties so that the cables do NOT come in contact with sharp edges or piping, particularly on the high-pressure side.
- Do NOT use taped wires, extension cords, or connections from a star system. They can cause overheating, electrical shocks or fire.
- Do NOT install a phase advancing capacitor, because this unit is equipped with an inverter. A phase advancing capacitor will reduce performance and may cause accidents.

**WARNING**

- All wiring MUST be performed by an authorised electrician and MUST comply with the national wiring regulation.
- Make electrical connections to the fixed wiring.
- All components procured on-site and all electrical construction MUST comply with the applicable legislation.

**WARNING**

ALWAYS use multicore cable for power supply cables.



CAUTION

- When connecting the power supply: connect the earth cable first, before making the current-carrying connections.
- When disconnecting the power supply: disconnect the current-carrying cables first, before separating the earth connection.
- The length of the conductors between the power supply stress relief and the terminal block itself **MUST** be as such that the current-carrying wires are tautened before the earth wire is in case the power supply is pulled loose from the stress relief.



CAUTION

Do NOT perform the test operation while working on the indoor units.

When performing the test operation, **NOT ONLY** the outdoor unit, but the connected indoor unit will operate as well. Working on an indoor unit while performing a test operation is dangerous.



CAUTION

Do **NOT** insert fingers, rods or other objects into the air inlet or outlet. Do **NOT** remove the fan guard. When the fan is rotating at high speed, it will cause injury.

For the user

4 User safety instructions

Always observe the following safety instructions and regulations.

In this chapter

4.1	General.....	18
4.2	Instructions for safe operation.....	19

4.1 General



WARNING

If you are NOT sure how to operate the unit, contact your installer.



WARNING

This appliance can be used by children aged from 8 years and above and persons with reduced physical, sensory or mental capabilities or lack of experience and knowledge if they have been given supervision or instruction concerning use of the appliance in a safe way and understand the hazards involved.

Children SHALL NOT play with the appliance.

Cleaning and user maintenance SHALL NOT be made by children without supervision.



WARNING

To prevent electrical shocks or fire:

- Do NOT rinse the unit.
- Do NOT operate the unit with wet hands.
- Do NOT place any objects containing water on the unit.



CAUTION

- Do NOT place any objects or equipment on top of the unit.
- Do NOT sit, climb or stand on the unit.

- Units are marked with the following symbol:



This means that electrical and electronic products may NOT be mixed with unsorted household waste. Do NOT try to dismantle the system yourself: dismantling the system, treatment of the refrigerant, of oil and of other parts MUST be done by an authorised installer and MUST comply with applicable legislation.

Units MUST be treated at a specialised treatment facility for reuse, recycling and recovery. By ensuring this product is disposed of correctly, you will help to prevent potential negative consequences for the environment and human health. For more information, contact your installer or local authority.

- Batteries are marked with the following symbol:



This means that the batteries may NOT be mixed with unsorted household waste. If a chemical symbol is printed beneath the symbol, this chemical symbol means that the battery contains a heavy metal above a certain concentration.

Possible chemical symbols are: Pb: lead (>0.004%).

Waste batteries MUST be treated at a specialised treatment facility for reuse. By ensuring waste batteries are disposed of correctly, you will help to prevent potential negative consequences for the environment and human health.

4.2 Instructions for safe operation



CAUTION

- NEVER touch the internal parts of the controller.
- Do NOT remove the front panel. Some parts inside are dangerous to touch and appliance problems may happen. For checking and adjusting the internal parts, contact your dealer.



CAUTION

Do NOT operate the system when using a room fumigation-type insecticide. Chemicals could collect in the unit, and endanger the health of people who are hypersensitive to chemicals.



CAUTION

It is unhealthy to expose your body to the air flow for a long time.



CAUTION

To avoid oxygen deficiency, ventilate the room sufficiently if equipment with burner is used together with the system.



WARNING

This unit contains electrical and hot parts.



WARNING

Before operating the unit, be sure the installation has been carried out correctly by an installer.



WARNING

NEVER touch the air outlet or the horizontal blades while the swing flap is in operation. Fingers may become caught or the unit may break down.



CAUTION

Do NOT insert fingers, rods or other objects into the air inlet or outlet. Do NOT remove the fan guard. When the fan is rotating at high speed, it will cause injury.



CAUTION: Pay attention to the fan!

It is dangerous to inspect the unit while the fan is running. Make sure to turn OFF the main switch before executing any maintenance task.



CAUTION

After a long use, check the unit stand and fitting for damage. If damaged, the unit may fall and result in injury.



WARNING

NEVER replace a fuse with a fuse of a wrong ampere ratings or other wires when a fuse blows out. Use of wire or copper wire may cause the unit to break down or cause a fire.

**WARNING**

- Do NOT modify, disassemble, remove, reinstall or repair the unit yourself as incorrect dismantling or installation may cause an electrical shock or fire. Contact your dealer.
- In case of accidental refrigerant leaks, make sure there are no naked flames. The refrigerant itself is entirely safe, non-toxic and non-combustible, but it will generate toxic gas when it accidentally leaks into a room where combustion air from fan heaters, gas cookers, etc. is present. ALWAYS have qualified service personnel confirm that the point of leakage has been repaired or corrected before resuming operation.

**WARNING**

Stop operation and shut OFF the power if anything unusual occurs (burning smells etc.).

Leaving the unit running under such circumstances may cause breakage, electrical shock or fire. Contact your dealer.

**WARNING**

- The refrigerant in the system is safe and normally does NOT leak. If the refrigerant leaks in the room, contact with a fire of a burner, a heater or a cooker may result in a harmful gas.
- Turn OFF any combustible heating devices, ventilate the room and contact the dealer where you purchased the unit.
- Do NOT use the system until a service person confirms that the portion where the refrigerant leaks is repaired.

**CAUTION**

NEVER expose little children, plants or animals directly to the airflow.

**CAUTION**

Do NOT touch the heat exchanger fins. These fins are sharp and could result in cutting injuries.

5 About the system

The indoor unit part of VRV IV heat pump system can be used for heating/cooling applications. The type of indoor unit which can be used depends on the outdoor units series.



WARNING

- Do NOT modify, disassemble, remove, reinstall or repair the unit yourself as incorrect dismantling or installation may cause an electrical shock or fire. Contact your dealer.
- In case of accidental refrigerant leaks, make sure there are no naked flames. The refrigerant itself is entirely safe, non-toxic and non-combustible, but it will generate toxic gas when it accidentally leaks into a room where combustion air from fan heaters, gas cookers, etc. is present. ALWAYS have qualified service personnel confirm that the point of leakage has been repaired or corrected before resuming operation.



NOTICE

Do NOT use the system for other purposes. In order to avoid any quality deterioration, do NOT use the unit for cooling precision instruments, food, plants, animals, or works of art.



NOTICE

For future modifications or expansions of your system:

A full overview of allowable combinations (for future system extensions) is available in technical engineering data and should be consulted. Contact your installer to receive more information and professional advice.

In this chapter

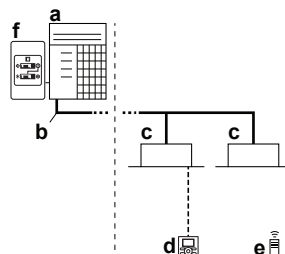
5.1 System layout..... 22

5.1 System layout



INFORMATION

The following figure is an example and may NOT completely match your system layout.



- a Heat pump outdoor unit
- b Refrigerant piping
- c VRV direct expansion (DX) indoor unit
- d User interface (dedicated depending on indoor unit type)
- e User interface (wireless, dedicated depending on indoor unit type)
- f Cool/Heat changeover remote control switch

6 User interface



CAUTION

- NEVER touch the internal parts of the controller.
- Do NOT remove the front panel. Some parts inside are dangerous to touch and appliance problems may happen. For checking and adjusting the internal parts, contact your dealer.

This operation manual offers a non-exhaustive overview of the main functions of the system.

7 Operation

In this chapter

7.1	Before operation	24
7.2	Operation range.....	24
7.3	Operating the system	25
7.3.1	About operating the system	25
7.3.2	About cooling, heating, fan only, and automatic operation	25
7.3.3	About the heating operation	25
7.3.4	To operate the system (WITHOUT cool/heat changeover remote control switch)	26
7.3.5	To operate the system (WITH cool/heat changeover remote control switch)	26
7.4	Using the dry program.....	27
7.4.1	About the dry program	27
7.4.2	To use the dry program (WITHOUT cool/heat changeover remote control switch).....	27
7.4.3	To use the dry program (WITH cool/heat changeover remote control switch).....	28
7.5	Adjusting the air flow direction.....	28
7.5.1	About the air flow flap	28
7.6	Setting the master user interface	29
7.6.1	About setting the master user interface	29
7.6.2	To designate the master user interface (VRV DX and Hydrobox).....	30
7.7	About control systems.....	30

7.1 Before operation



CAUTION

See "4 User safety instructions" [▶ 18] to acknowledge all related safety instructions.



NOTICE

NEVER inspect or service the unit by yourself. Ask a qualified service person to perform this work.



NOTICE

Turn ON the power 6 hours before operation in order to have power running to the crankcase heater and to protect the compressor.

This operation manual is for the following systems with standard control. Before initiating operation, contact your dealer for the operation that corresponds to your system type and mark. If your installation has a customised control system, ask your dealer for the operation that corresponds to your system.

Operation modes (depending on indoor unit type):

- Heating and cooling (air to air).
- Fan only operation (air to air).

Dedicated functions exist depending on the type of indoor unit, refer to dedicated installation/operation manual for more information.

7.2 Operation range

Use the system in the following temperature and humidity ranges for safe and effective operation.

	Cooling	Heating
Outdoor temperature	-5~52°C DB	-20~21°C DB -20~15.5°C WB
Indoor temperature	21~32°C DB 14~25°C WB	15~27°C DB
Indoor humidity	≤80% ^(a)	

^(a) To avoid condensation and water dripping out of the unit. If the temperature or the humidity is beyond these conditions, safety devices may be put in action and the air conditioner may not operate.

Above operation range is only valid in case direct expansion indoor units are connected to the VRV IV system.



Special operation ranges are valid in case of using AHU. They can be found in the installation/operation manual of the dedicated unit. Latest information can be found in the technical engineering data.

7.3 Operating the system

7.3.1 About operating the system

- Operation procedure varies according to the combination of outdoor unit and user interface.
- To protect the unit, turn on the main power switch 6 hours before operation.
- If the main power supply is turned off during operation, operation will restart automatically after the power turns back on again.

7.3.2 About cooling, heating, fan only, and automatic operation

- Changeover cannot be made with a user interface whose display shows  "changeover under centralised control" (refer to installation and operation manual of the user interface).
- When the display  "changeover under centralised control" flashes, refer to ["7.6.1 About setting the master user interface" \[▶ 29\]](#).
- The fan may keep on running for about 1 minute after the heating operation stops.
- The air flow rate may adjust itself depending on the room temperature or the fan may stop immediately. This is not a malfunction.

7.3.3 About the heating operation

It may take longer to reach the set temperature for general heating operation than for cooling operation.

The following operation is performed in order to prevent the heating capacity from dropping or cold air from blowing.


Defrost operation

In heating operation, freezing of the outdoor unit's air cooled coil increases over time, restricting the energy transfer to the outdoor unit's coil. Heating capability decreases and the system needs to go into defrost operation to be able to remove

frost from the outdoor unit's coil. During defrost operation the heating capacity on the indoor unit side will temporarily drop until defrosting is completed. After defrosting, the unit will regain its full heating capacity.

The indoor unit will indicate defrost operation on the display .

Hot start

In order to prevent cold air from blowing out of an indoor unit at the start of heating operation, the indoor fan is automatically stopped. The display of the user interface shows . It may take some time before the fan starts. This is not a malfunction.



INFORMATION

- The heating capacity drops when the outside temperature falls. If this happens, use another heating device together with the unit. (When using together with appliances that produce open fire, ventilate the room constantly). Do not place appliances that produce open fire in places exposed to the air flow from the unit or under the unit.
- It takes some time to heat up the room from the time the unit is started since the unit uses a hot-air circulating system to heat the entire room.
- If the hot air rises to the ceiling, leaving the area above the floor cold, we recommend that you use the circulator (the indoor fan for circulating air). Contact your dealer for details.

7.3.4 To operate the system (WITHOUT cool/heat changeover remote control switch)

- 1 Press the operation mode selector button on the user interface several times and select the operation mode of your choice.

 Cooling operation

 Heating operation

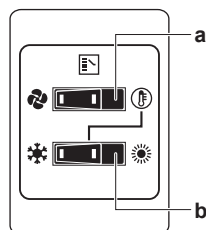
 Fan only operation

- 2 Press the ON/OFF button on the user interface.



Result: The operation lamp lights up and the system starts operating.

7.3.5 To operate the system (WITH cool/heat changeover remote control switch)



Overview of the changeover remote control switch



- a** FAN ONLY/AIR CONDITIONING SELECTOR SWITCH

Set the switch to  for fan only operation or to  for heating or cooling operation.

- b** COOL/HEAT CHANGEOVER SWITCH

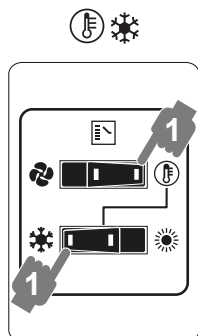
Set the switch to  for cooling or to  for heating

Note: In case a cool/heat changeover remote control switch is used, the position of DIP switch 1 (DS1-1) on the main PCB needs to be switched to the ON position.

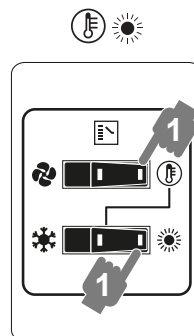
To start

- 1 Select operation mode with the cool/heat changeover switch as follows:

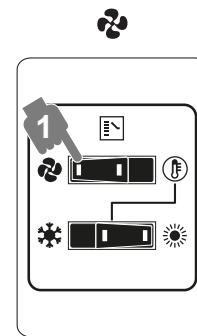
Cooling operation



Heating operation



Fan only operation



- 2 Press the ON/OFF button on the user interface.

Result: The operation lamp lights up and the system starts operating.

To stop

- 3 Press the ON/OFF button on the user interface once again.

Result: The operation lamp goes out and the system stops operating.

**NOTICE**

Do not turn off power immediately after the unit stops, but wait for at least 5 minutes.

To adjust

For programming temperature, fan speed and air flow direction refer to the operation manual of the user interface.


7.4 Using the dry program

7.4.1 About the dry program

- The function of this program is to decrease the humidity in your room with minimal temperature decrease (minimal room cooling).
- The micro computer automatically determines temperature and fan speed (cannot be set by the user interface).
- The system does not go into operation if the room temperature is low (<20°C).

7.4.2 To use the dry program (WITHOUT cool/heat changeover remote control switch)

To start

- 1 Press the operation mode selector button on the user interface several times and select  (program dry operation).
- 2 Press the ON/OFF button of the user interface.

Result: The operation lamp lights up and the system starts operating.

- 3 Press the air flow direction adjust button (only for double-flow, multi-flow, corner, ceiling-suspended and wall-mounted). Refer to ["7.5 Adjusting the air flow direction"](#) [▶ 28] for details.

To stop

- 4 Press the ON/OFF button on the user interface once again.

Result: The operation lamp goes out and the system stops operating.

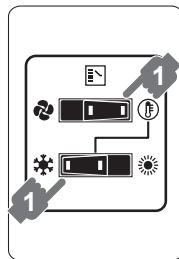
**NOTICE**

Do not turn off power immediately after the unit stops, but wait for at least 5 minutes.

7.4.3 To use the dry program (WITH cool/heat changeover remote control switch)

To start

- 1 Select cooling operation mode with the cool/heat changeover remote control switch.



- 2 Press the operation mode selector button on the user interface several times and select (program dry operation).

- 3 Press the ON/OFF button of the user interface.

Result: The operation lamp lights up and the system starts operating.

- 4 Press the air flow direction adjust button (only for double-flow, multi-flow, corner, ceiling-suspended and wall-mounted). Refer to "[7.5 Adjusting the air flow direction](#)" [▶ 28] for details.

To stop

- 5 Press the ON/OFF button on the user interface once again.

Result: The operation lamp goes out and the system stops operating.

**NOTICE**

Do not turn off power immediately after the unit stops, but wait for at least 5 minutes.


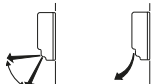
7.5 Adjusting the air flow direction

Refer to the operation manual of the user interface.

7.5.1 About the air flow flap

Air flow flap types:



- Double flow + multi-flow units
- Corner units

-  Ceiling suspended units
-  Wall-mounted units

For the following conditions, a micro computer controls the air flow direction which may be different from the display.

Cooling	Heating
<ul style="list-style-type: none"> ▪ When the room temperature is lower than the set temperature. 	<ul style="list-style-type: none"> ▪ When starting operation. ▪ When the room temperature is higher than the set temperature. ▪ At defrost operation.
<ul style="list-style-type: none"> ▪ When operating continuously at horizontal air flow direction. ▪ When continuous operation with downward air flow is performed at the time of cooling with a ceiling-suspended or a wall-mounted unit, the micro computer may control the flow direction, and then the user interface indication will also change. 	

The air flow direction can be adjusted in one of the following ways:

- The air flow flap itself adjusts its position.
- The air flow direction can be fixed by the user.
- Automatic  and desired position .




WARNING

NEVER touch the air outlet or the horizontal blades while the swing flap is in operation. Fingers may become caught or the unit may break down.



NOTICE

- The movable limit of the flap is changeable. Contact your dealer for details. (only for double-flow, multi-flow, corner, ceiling-suspended and wall-mounted).
- Avoid operating in the horizontal direction . It may cause dew or dust to settle on the ceiling or flap.

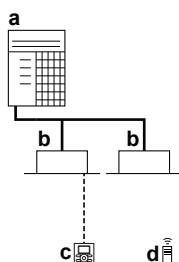
7.6 Setting the master user interface

7.6.1 About setting the master user interface




INFORMATION

The following figure is an example and may NOT completely match your system layout.



- a VRV heat pump outdoor unit
- b VRV direct expansion (DX) indoor unit
- c User interface (dedicated depending on indoor unit type)
- d User interface (wireless, dedicated depending on indoor unit type)


When the system is installed as shown in the figure above, it is necessary to designate one of the user interfaces as the master user interface.

The displays of slave user interfaces show  (changeover under centralised control) and slave user interfaces automatically follow the operation mode directed by the master user interface.



Only the master user interface can select heating or cooling mode (cooling/heating masterhood).

7.6.2 To designate the master user interface (VRV DX and Hydrobox)

- 1 Press the operation mode selector button of the current master user interface for 4 seconds. In case this procedure was not yet performed, the procedure can be executed on the first user interface operated.

Result: The display showing  (changeover under centralised control) of all slave user interfaces connected to the same outdoor unit flashes.

- 2 Press the operation mode selector button of the controller that you wish to designate as the master user interface.

Result: Designation is completed. This user interface is designated as the master user interface and the display showing  (changeover under centralised control) vanishes. The displays of other user interfaces show  (changeover under centralised control).

7.7 About control systems

This system provides two other control systems beside individual control system (one user interface controls one indoor unit). Confirm the following if your unit is of the following control system type:

Type	Description
Group control system	One user interface controls up to 16 indoor units. All indoor units are equally set.
Two user interface control system	Two user interfaces control one indoor unit (in case of group control system, one group of indoor units). The unit is individually operated.




NOTICE

Contact your dealer in case of changing the combination or setting of group control and two user interface control systems.

8 Energy saving and optimum operation

Observe the following precautions to ensure the system operates properly.

- Adjust the air outlet properly and avoid direct air flow to room inhabitants.
- Adjust the room temperature properly for a comfortable environment. Avoid excessive heating or cooling.
- Prevent direct sunlight from entering a room during cooling operation by using curtains or blinds.
- Ventilate often. Extended use requires special attention to ventilation.
- Keep doors and windows closed. If the doors and windows remain open, air will flow out of your room causing a decrease in the cooling or heating effect.
- Be careful NOT to cool or heat too much. To save energy, keep the temperature setting at a moderate level.
- NEVER place objects near the air inlet or the air outlet of the unit. Doing so may cause a reduced heating/cooling effect or stop operation.
- Turn off the main power supply switch to the unit when the unit is not used for longer periods of time. If the switch is on, it consumes electricity. Before restarting the unit, turn on the main power supply switch 6 hours before operation to ensure smooth running. (Refer to "Maintenance" in the indoor unit manual.)
- When the display shows  (time to clean the air filter), ask a qualified service person to clean the filters. (Refer to "Maintenance" in the indoor unit manual.)
- Keep the indoor unit and user interface at least 1 m away from televisions, radios, stereos, and other similar equipment. Failing to do so may cause static or distorted pictures.
- Do NOT place items under the indoor unit, as they may be damaged by water.
- Condensation may form if the humidity is above 80% or if the drain outlet gets blocked.

Several patterns are available and roughly explained below. Contact your installer or dealer for advice or to modify the parameters to the needs of your building.

Detailed information is given for the installer in the installation manual. He can help you to realize the best balance between energy consumption and comfort.

In this chapter

8.1	Available main operation methods	31
8.2	Available comfort settings	32

8.1 Available main operation methods

Basic

The refrigerant temperature is fixed independent from the situation.

Automatic

The refrigerant temperature is set depending on the outdoor ambient conditions. As such adjusting the refrigerant temperature to match the required load (which is also related to the outdoor ambient conditions).

E.g., when your system is operating in cooling, you do not need as much cooling under low outdoor ambient temperatures (e.g., 25°C) as under high outdoor ambient temperatures (e.g., 35°C). Using this idea, the system automatically starts increasing its refrigerant temperature, automatically reducing the delivered capacity and increasing the system's efficiency.

Hi-sensible/economic (cooling/heating)

The refrigerant temperature is set higher/lower (cooling/heating) compared to basic operation. The focus under high sensible mode is comfort feeling for the customer.

The selection method of indoor units is important and has to be considered as the available capacity is not the same as under basic operation.

For details concerning to Hi-sensible applications, please contact your installer.

8.2 Available comfort settings

For each of above modes a comfort level can be selected. The comfort level is related to the timing and the effort (energy consumption) which is put in achieving a certain room temperature by temporarily changing the refrigerant temperature to different values in order to achieve requested conditions more quickly.

- Powerful
- Quick
- Mild
- Eco



INFORMATION

Combinations of Automatic mode together with Hydrobox applications should be considered. The effect of the energy saving function can be very small when low/high (cooling/heating) leaving water temperatures are requested.

9 Maintenance and service



WARNING

NEVER replace a fuse with a fuse of a wrong ampere ratings or other wires when a fuse blows out. Use of wire or copper wire may cause the unit to break down or cause a fire.



CAUTION

Do NOT insert fingers, rods or other objects into the air inlet or outlet. Do NOT remove the fan guard. When the fan is rotating at high speed, it will cause injury.



CAUTION

After a long use, check the unit stand and fitting for damage. If damaged, the unit may fall and result in injury.



NOTICE

NEVER inspect or service the unit by yourself. Ask a qualified service person to perform this work.



NOTICE

Do NOT wipe the controller operation panel with benzene, thinner, chemical dust cloth, etc. The panel may get discoloured or the coating peeled off. If it is heavily dirty, soak a cloth in water-diluted neutral detergent, squeeze it well and wipe the panel clean. Wipe it with another dry cloth.

In this chapter

9.1	Maintenance after a long stop period	33
9.2	Maintenance before a long stop period	34
9.3	About the refrigerant	34
9.4	After-sales service and warranty	34
9.4.1	Warranty period	34
9.4.2	Recommended maintenance and inspection	35
9.4.3	Recommended maintenance and inspection cycles	35
9.4.4	Shortened maintenance and replacement cycles	36

9.1 Maintenance after a long stop period

E.g., at the beginning of the season.

- Check and remove everything that might be blocking inlet and outlet vents of indoor units and outdoor units.
- Clean air filters and casings of indoor units. Contact your installer or maintenance person to clean air filters and casings of the indoor unit. Maintenance tips and procedures for cleaning are provided in the installation/operation manuals of dedicated indoor units. Make sure to install cleaned air filters back in the same position.
- Turn on the power at least 6 hours before operating the system in order to ensure smoother operation. As soon as the power is turned on, the user interface display appears.

9.2 Maintenance before a long stop period

E.g., at the end of the season.

- Let the indoor units run in fan-only operation for about half a day in order to dry the interior of the units. Refer to "[7.3.2 About cooling, heating, fan only, and automatic operation](#)" [▶ 25] for details on fan-only operation.
- Turn off the power. The user interface display disappears.
- Clean air filters and casings of indoor units. Contact your installer or maintenance person to clean air filters and casings of the indoor unit. Maintenance tips and procedures for cleaning are provided in the installation/operation manuals of dedicated indoor units. Make sure to install cleaned air filters back in the same position.

9.3 About the refrigerant

This product contains fluorinated greenhouse gases. Do NOT vent gases into the atmosphere.

Refrigerant type: R410A

Global warming potential (GWP) value: 2087.5



NOTICE

Applicable legislation on **fluorinated greenhouse gases** requires that the refrigerant charge of the unit is indicated both in weight and CO₂ equivalent.

Formula to calculate the quantity in CO₂ equivalent tonnes: GWP value of the refrigerant × total refrigerant charge [in kg]/1000

Contact your installer for more information.



WARNING

- The refrigerant in the system is safe and normally does NOT leak. If the refrigerant leaks in the room, contact with a fire of a burner, a heater or a cooker may result in a harmful gas.
- Turn OFF any combustible heating devices, ventilate the room and contact the dealer where you purchased the unit.
- Do NOT use the system until a service person confirms that the portion where the refrigerant leaks is repaired.

9.4 After-sales service and warranty

9.4.1 Warranty period

- This product includes a warranty card that was filled in by the dealer at the time of installation. The completed card has to be checked by the customer and stored carefully.
- If repairs to the product are necessary within the warranty period, contact your dealer and keep the warranty card at hand.

9.4.2 Recommended maintenance and inspection

Since dust collects when using the unit for several years, performance of the unit will deteriorate to some extent. As taking apart and cleaning interiors of units requires technical expertise and in order to ensure the best possible maintenance of your units, we recommend to enter into a maintenance and inspection contract on top of normal maintenance activities. Our network of dealers has access to a permanent stock of essential components in order to keep your unit in operation as long as possible. Contact your dealer for more information.

When asking your dealer for an intervention, always state:

- The complete model name of the unit.
- The manufacturing number (stated on the nameplate of the unit).
- The installation date.
- The symptoms or malfunction, and details of the defect.



WARNING

- Do NOT modify, disassemble, remove, reinstall or repair the unit yourself as incorrect dismantling or installation may cause an electrical shock or fire. Contact your dealer.
- In case of accidental refrigerant leaks, make sure there are no naked flames. The refrigerant itself is entirely safe, non-toxic and non-combustible, but it will generate toxic gas when it accidentally leaks into a room where combustion air from fan heaters, gas cookers, etc. is present. ALWAYS have qualified service personnel confirm that the point of leakage has been repaired or corrected before resuming operation.

9.4.3 Recommended maintenance and inspection cycles

Be aware that the mentioned maintenance and replacement cycles do not relate to the warranty period of the components.

Component	Inspection cycle	Maintenance cycle (replacements and/or repairs)
Electric motor	1 year	20,000 hours
PCB		25,000 hours
Heat exchanger		5 years
Sensor (thermistor, etc.)		5 years
User interface and switches		25,000 hours
Drain pan		8 years
Expansion valve		20,000 hours
Solenoid valve		20,000 hours

The table assumes the following conditions of use:

- Normal use without frequent starting and stopping of the unit. Depending on the model, we recommend not starting and stopping the machine more than 6 times/hour.
- Operation of the unit is assumed to be 10 hours/day and 2,500 hours/year.



NOTICE

- The table indicates main components. Refer to your maintenance and inspection contract for more details.
- The table indicates recommended intervals of maintenance cycles. However, in order to keep the unit operational as long as possible, maintenance work may be required sooner. Recommended intervals can be used for appropriate maintenance design in terms of budgeting maintenance and inspection fees. Depending on the content of the maintenance and inspection contract, inspection and maintenance cycles may in reality be shorter than listed.

9.4.4 Shortened maintenance and replacement cycles

Shortening of "maintenance cycle" and "replacement cycle" needs to be considered in following situations:

The unit is used in locations where:

- Heat and humidity fluctuate out of the ordinary.
- Power fluctuation is high (voltage, frequency, wave distortion, etc.) (the unit cannot be used if power fluctuation is outside the allowable range).
- Bumps and vibrations are frequent.
- Dust, salt, harmful gas or oil mist such as sulphurous acid and hydrogen sulfide may be present in the air.
- The machine is started and stopped frequently or operation time is long (sites with 24 hour air-conditioning).

Recommended replacement cycle of wear parts

Component	Inspection cycle	Maintenance cycle (replacements and/or repairs)
Air filter	1 year	5 years
High efficiency filter		1 year
Fuse		10 years
Crankcase heater		8 years
Pressure containing parts		In case of corrosion, contact your local dealer.



NOTICE

- The table indicates main components. Refer to your maintenance and inspection contract for more details.
- The table indicates recommended intervals of replacement cycles. However, in order to keep the unit operational as long as possible, maintenance work may be required sooner. Recommended intervals can be used for appropriate maintenance design in terms of budgeting maintenance and inspection fees. Contact your dealer for details.



INFORMATION

Damage due to taking apart or cleaning interiors of units by anyone other than our authorised dealers may not be included in the warranty.

10 Troubleshooting

If one of the following malfunctions occurs, take the measures shown below and contact your dealer.



WARNING


Stop operation and shut OFF the power if anything unusual occurs (burning smells etc.).

Leaving the unit running under such circumstances may cause breakage, electrical shock or fire. Contact your dealer.

The system **MUST** be repaired by a qualified service person.

Malfunction	Measure
If a safety device such as a fuse, a breaker or an earth leakage breaker frequently actuates or the ON/OFF switch does NOT properly work.	Turn OFF the main power switch.
If water leaks from the unit.	Stop the operation.
The operation switch does NOT work well.	Turn OFF the power supply.
If the user interface display indicates the unit number, the operation lamp flashes and the malfunction code appears.	Notify your installer and report the malfunction code.

If the system does NOT operate properly except for the above mentioned cases and none of the above mentioned malfunctions is evident, investigate the system in accordance with the following procedures.

Malfunction	Measure
If the system does not operate at all.	<ul style="list-style-type: none"> Check if there is no power failure. Wait until power is restored. If power failure occurs during operation, the system automatically restarts immediately after power is restored. Check if no fuse has blown or breaker is activated. Change the fuse or reset the breaker if necessary.
If the system goes into fan only operation, but as soon as it goes into heating or cooling operation, the system stops.	<ul style="list-style-type: none"> Check if air inlet or outlet of outdoor or indoor unit is not blocked by obstacles. Remove any obstacles and make sure the air can flow freely. Check if the user interface display shows  (time to clean the air filter). (Refer to "9 Maintenance and service" [▶ 33] and "Maintenance" in the indoor unit manual.)

Malfunction	Measure
The system operates but cooling or heating is insufficient.	<ul style="list-style-type: none"> ▪ Check if air inlet or outlet of outdoor or indoor unit is not blocked by obstacles. Remove any obstacles and make sure the air can flow freely. ▪ Check if the air filter is not clogged (refer to "Maintenance" in the indoor unit manual). ▪ Check the temperature setting. ▪ Check the fan speed setting on your user interface. ▪ Check for open doors or windows. Close doors and windows to prevent wind from coming in. ▪ Check if there are too many occupants in the room during cooling operation. Check if the heat source of the room is excessive. ▪ Check if direct sunlight enters the room. Use curtains or blinds. ▪ Check if the air flow angle is proper.

After checking all the items above, if it is impossible to fix the problem yourself, contact your installer and state the symptoms, the complete model name of the unit (with manufacturing number if possible) and the installation date.

In this chapter

10.1	Error codes: Overview	38
10.2	Symptoms that are NOT system malfunctions	41
10.2.1	Symptom: The system does not operate	41
10.2.2	Symptom: Cool/Heat cannot be changed over	41
10.2.3	Symptom: Fan operation is possible, but cooling and heating do not work	41
10.2.4	Symptom: The fan speed does not correspond to the setting	41
10.2.5	Symptom: The fan direction does not correspond to the setting	41
10.2.6	Symptom: White mist comes out of a unit (Indoor unit)	42
10.2.7	Symptom: White mist comes out of a unit (Indoor unit, outdoor unit)	42
10.2.8	Symptom: The user interface reads "U4" or "U5" and stops, but then restarts after a few minutes	42
10.2.9	Symptom: Noise of air conditioners (Indoor unit)	42
10.2.10	Symptom: Noise of air conditioners (Indoor unit, outdoor unit)	42
10.2.11	Symptom: Noise of air conditioners (Outdoor unit)	42
10.2.12	Symptom: Dust comes out of the unit	43
10.2.13	Symptom: The units can give off odours	43
10.2.14	Symptom: The outdoor unit fan does not spin	43
10.2.15	Symptom: The display shows "88"	43
10.2.16	Symptom: The compressor in the outdoor unit does not stop after a short heating operation	43
10.2.17	Symptom: The inside of an outdoor unit is warm even when the unit has stopped	43
10.2.18	Symptom: Hot air can be felt when the indoor unit is stopped	43

10.1 Error codes: Overview

In case a malfunction code appears on the indoor unit user interface display, contact your installer and inform the malfunction code, the unit type, and serial number (you can find this information on the nameplate of the unit).

For your reference, a list with malfunction codes is provided. You can, depending on the level of the malfunction code, reset the code by pushing the ON/OFF button. If not, ask your installer for advice.

Main code	Contents
<i>R0</i>	External protection device was activated
<i>R1</i>	EEPROM failure (indoor)
<i>R3</i>	Drain system malfunction (indoor)
<i>R6</i>	Fan motor malfunction (indoor)
<i>R7</i>	Swing flap motor malfunction (indoor)
<i>R9</i>	Expansion valve malfunction (indoor)
<i>RF</i>	Drain malfunction (indoor unit)
<i>RH</i>	Filter dust chamber malfunction (indoor)
<i>RJ</i>	Capacity setting malfunction (indoor)
<i>U1</i>	Transmission malfunction between main PCB and sub PCB (indoor)
<i>U4</i>	Heat exchanger thermistor malfunction (indoor; liquid)
<i>U5</i>	Heat exchanger thermistor malfunction (indoor; gas)
<i>U9</i>	Suction air thermistor malfunction (indoor)
<i>UR</i>	Discharge air thermistor malfunction (indoor)
<i>UE</i>	Movement detector or floor temperature sensor malfunction (indoor)
<i>UJ</i>	User interface thermistor malfunction (indoor)
<i>E1</i>	PCB malfunction (outdoor)
<i>E2</i>	Current leakage detector was activated (outdoor)
<i>E3</i>	High pressure switch was activated
<i>E4</i>	Low pressure malfunction (outdoor)
<i>E5</i>	Compressor lock detection (outdoor)
<i>E7</i>	Fan motor malfunction (outdoor)
<i>E9</i>	Electronic expansion valve malfunction (outdoor)
<i>F3</i>	Discharge temperature malfunction (outdoor)
<i>F4</i>	Abnormal suction temperature (outdoor)
<i>F6</i>	Refrigerant overcharge detection
<i>H3</i>	High pressure switch malfunction
<i>H4</i>	Low pressure switch malfunction
<i>H7</i>	Fan motor trouble (outdoor)
<i>H9</i>	Ambient temperature sensor malfunction (outdoor)
<i>J1</i>	Pressure sensor malfunction
<i>J2</i>	Current sensor malfunction
<i>J3</i>	Discharge temperature sensor malfunction (outdoor)
<i>J4</i>	Heat exchanger gas temperature sensor malfunction (outdoor)
<i>J5</i>	Suction temperature sensor malfunction (outdoor)
<i>J6</i>	De-icing temperature sensor malfunction (outdoor)

Main code	Contents
J7	Liquid temperature sensor (after subcool HE) malfunction (outdoor)
J8	Liquid temperature sensor (coil) malfunction (outdoor)
J9	Gas temperature sensor (after subcool HE) malfunction (outdoor)
JA	High pressure sensor malfunction (S1NPH)
JC	Low pressure sensor malfunction (S1NPL)
L1	INV PCB abnormal
L4	Fin temperature abnormal
L5	Inverter PCB faulty
LB	Compressor over current detected
L9	Compressor lock (startup)
LC	Transmission outdoor unit - inverter: INV transmission trouble
P1	INV unbalanced power supply voltage
P2	Autocharge operation related
P4	Fin thermistor malfunction
P8	Autocharge operation related
P9	Autocharge operation related
PE	Autocharge operation related
PJ	Capacity setting malfunction (outdoor)
U0	Abnormal low pressure drop, faulty expansion valve
U1	Reversed power supply phase malfunction
U2	INV voltage power shortage
U3	System test run not yet executed
U4	Faulty wiring indoor/outdoor
U5	Abnormal user interface - indoor communication
U7	Faulty wiring to outdoor/outdoor
U8	Abnormal main-sub user interface communication
U9	System mismatch. Wrong type of indoor units combined. Indoor unit malfunction.
UA	Connection malfunction over indoor units or type mismatch
UC	Centralised address duplication
UE	Malfunction in communication centralised control device - indoor unit
UF	Auto address malfunction (inconsistency)
UH	Auto address malfunction (inconsistency)



10.2 Symptoms that are NOT system malfunctions

The following symptoms are NOT system malfunctions:

10.2.1 Symptom: The system does not operate

- The air conditioner does not start immediately after the ON/OFF button on the user interface is pressed. If the operation lamp lights, the system is in normal condition. To prevent overloading of the compressor motor, the air conditioner starts 5 minutes after it is turned ON again in case it was turned OFF just before. The same starting delay occurs after the operation mode selector button was used.
- If "Under Centralised Control" is displayed on the user interface, pressing the operation button causes the display to blink for a few seconds. The blinking display indicates that the user interface cannot be used.
- The system does not start immediately after the power supply is turned on. Wait one minute until the microcomputer is prepared for operation.

10.2.2 Symptom: Cool/Heat cannot be changed over

- When the display shows  (changeover under centralised control), it shows that this is a slave user interface.
- When the cool/heat changeover remote control switch is installed and the display shows  (changeover under centralised control), this is because cool/heat changeover is controlled by the cool/heat changeover remote control switch. Ask your dealer where the remote control switch is installed.

10.2.3 Symptom: Fan operation is possible, but cooling and heating do not work

Immediately after the power is turned on. The micro computer is getting ready to operate and is performing a communication check with all indoor units. Please wait 12 minutes maximally until this process is finished.

10.2.4 Symptom: The fan speed does not correspond to the setting

The fan speed does not change even if the fan speed adjustment button is pressed. During heating operation, when the room temperature reaches the set temperature, the outdoor unit goes off and the indoor unit changes to whisper fan speed. This is to prevent cold air blowing directly on occupants of the room. The fan speed will not change even when another indoor unit is in heating operation, if the button is pressed.

10.2.5 Symptom: The fan direction does not correspond to the setting

The fan direction does not correspond with the user interface display. The fan direction does not swing. This is because the unit is being controlled by the micro computer.

10.2.6 Symptom: White mist comes out of a unit (Indoor unit)

- When humidity is high during cooling operation. If the interior of an indoor unit is extremely contaminated, the temperature distribution inside a room becomes uneven. It is necessary to clean the interior of the indoor unit. Ask your dealer for details on cleaning the unit. This operation requires a qualified service person.
- Immediately after the cooling operation stops and if the room temperature and humidity are low. This is because warm refrigerant gas flows back into the indoor unit and generates steam.

10.2.7 Symptom: White mist comes out of a unit (Indoor unit, outdoor unit)

When the system is changed over to heating operation after defrost operation. Moisture generated by defrost becomes steam and is exhausted.

10.2.8 Symptom: The user interface reads "U4" or "U5" and stops, but then restarts after a few minutes

This is because the user interface is intercepting noise from electric appliances other than the air conditioner. The noise prevents communication between the units, causing them to stop. Operation automatically restarts when the noise ceases. A power reset may help to remove this error.

10.2.9 Symptom: Noise of air conditioners (Indoor unit)

- A "zeen" sound is heard immediately after the power supply is turned on. The electronic expansion valve inside an indoor unit starts working and makes the noise. Its volume will reduce in about one minute.
- A continuous low "shah" sound is heard when the system is in cooling operation or at a stop. When the drain pump (optional accessories) is in operation, this noise is heard.
- A "pishi-pishi" squeaking sound is heard when the system stops after heating operation. Expansion and contraction of plastic parts caused by temperature change make this noise.
- A low "sah", "choro-choro" sound is heard while the indoor unit is stopped. When another indoor unit is in operation, this noise is heard. In order to prevent oil and refrigerant from remaining in the system, a small amount of refrigerant is kept flowing.

10.2.10 Symptom: Noise of air conditioners (Indoor unit, outdoor unit)

- A continuous low hissing sound is heard when the system is in cooling or defrost operation. This is the sound of refrigerant gas flowing through both indoor and outdoor units.
- A hissing sound which is heard at the start or immediately after stopping operation or defrost operation. This is the noise of refrigerant caused by flow stop or flow change.

10.2.11 Symptom: Noise of air conditioners (Outdoor unit)

When the tone of operating noise changes. This noise is caused by the change of frequency.

10.2.12 Symptom: Dust comes out of the unit

When the unit is used for the first time in a long time. This is because dust has gotten into the unit.

10.2.13 Symptom: The units can give off odours

The unit can absorb the smell of rooms, furniture, cigarettes, etc., and then emit it again.

10.2.14 Symptom: The outdoor unit fan does not spin

During operation, the speed of the fan is controlled in order to optimise product operation.

10.2.15 Symptom: The display shows "88"

This is the case immediately after the main power supply switch is turned on and means that the user interface is in normal condition. This continues for 1 minute.

10.2.16 Symptom: The compressor in the outdoor unit does not stop after a short heating operation

This is to prevent refrigerant from remaining in the compressor. The unit will stop after 5 to 10 minutes.

10.2.17 Symptom: The inside of an outdoor unit is warm even when the unit has stopped

This is because the crankcase heater is warming the compressor so that the compressor can start smoothly.

10.2.18 Symptom: Hot air can be felt when the indoor unit is stopped

Several different indoor units are being run on the same system. When another unit is running, some refrigerant will still flow through the unit.

11 Relocation

Contact your dealer to remove and reinstall the entire unit. Moving units requires technical expertise.

12 Disposal

This unit uses hydrofluorocarbon. Contact your dealer when discarding this unit. It is required by law to collect, transport and discard the refrigerant in accordance with the "hydrofluorocarbon collection and destruction" regulations.

**NOTICE**

Do NOT try to dismantle the system yourself: dismantling of the system, treatment of the refrigerant, oil and other parts **MUST** comply with applicable legislation. Units **MUST** be treated at a specialised treatment facility for reuse, recycling and recovery.

13 Technical data

In this chapter

13.1 Eco Design requirements 46

13.1 Eco Design requirements

Follow the steps below to consult the Energy Label – Lot 21 data of the unit and outdoor/indoor combinations.

1 Open the following webpage: <https://energylabel.daikin.eu/>

2 To continue, choose:

- "Continue to Europe" for the international website.
- "Other country" for a country related site.

Result: You are directed to the "Seasonal efficiency" webpage.

3 Under "Eco Design – Ener LOT 21", click "Generate your data".

Result: You are directed to the "Seasonal efficiency (LOT 21)" webpage.

4 Follow the instructions on the webpage to select the correct unit.

Result: When the selection is done, the LOT 21 datasheet can be viewed as a PDF or a HTML webpage.



INFORMATION

Other documents (e.g. manuals, ...) can also be consulted from the resulting webpage.

For the installer

14 About the box

Keep the following in mind:

- At delivery, the unit **MUST** be checked for damage and completeness. Any damage or missing parts **MUST** be reported immediately to the claims agent of the carrier.
- Bring the packed unit as close as possible to its final installation position to prevent damage during transport.
- Prepare in advance the path along which you want to bring the unit to its final installation position.
- When handling the unit, take into account the following:

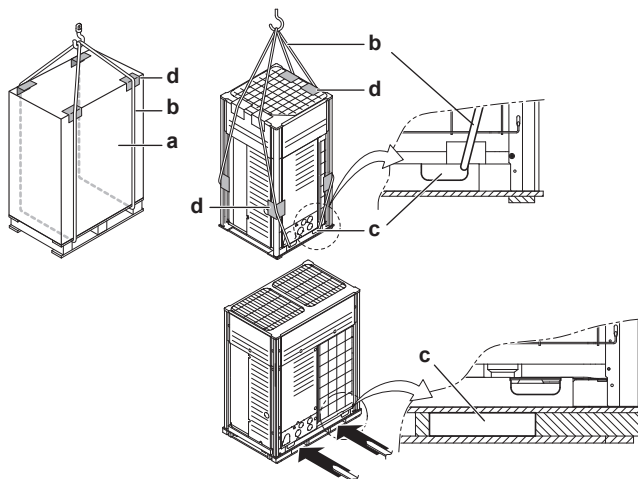


Fragile, handle the unit with care.



Keep the unit upright in order to avoid compressor damage.

- Lift the unit preferably with a crane and 2 belts of at least 8 m long as shown in the figure below. Always use protectors to prevent belt damage and pay attention to the position of the unit's centre of gravity.



- a Packaging material
- b Belt sling
- c Opening
- d Protector



NOTICE

Use a belt sling of ≤ 20 mm wide that adequately bears the weight of the unit.

- A forklift can only be used for transport as long as the unit remains on its pallet as shown above.

In this chapter

14.1	About LOOP BY DAIKIN	49
14.2	Outdoor unit	49
14.2.1	To unpack the outdoor unit	49
14.2.2	To remove the accessories from the outdoor unit	49
14.2.3	Accessory pipes: Diameters	50
14.2.4	To remove the transportation stay	50

14.1 About LOOP BY DAIKIN

LOOP is part of Daikin's wider commitment to reduce our environmental footprint. With **LOOP** we want to create a circular economy for refrigerants. One of the actions to achieve this, is the reuse of reclaimed refrigerant in VRV units produced and sold in Europe. For more information about the countries that are in scope, visit: <http://www.daikin.eu/loop-by-daikin>.

14.2 Outdoor unit

14.2.1 To unpack the outdoor unit

Remove the packaging material from the unit:

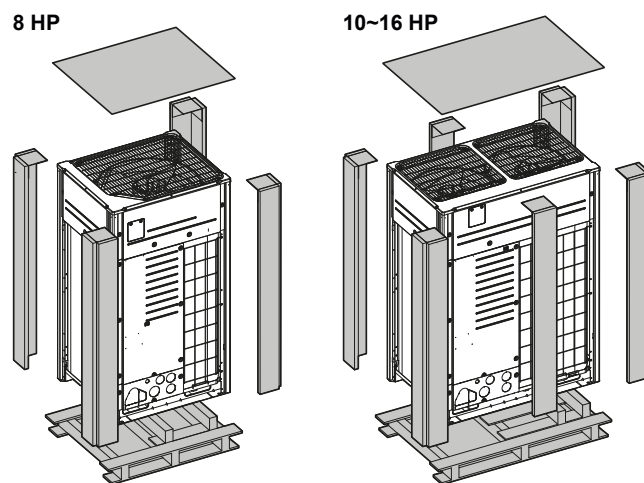
- Take care not to damage the unit when removing the shrink foil with a cutter.
- Remove the 4 bolts fixing the unit to its pallet.

Note: This product is not designed for repacking. In case of repacking, contact your dealer.

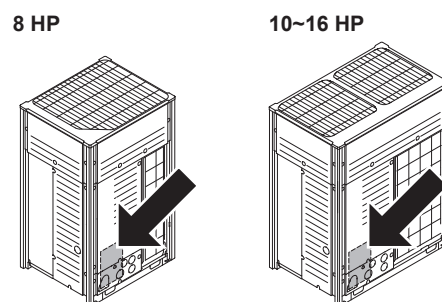


WARNING

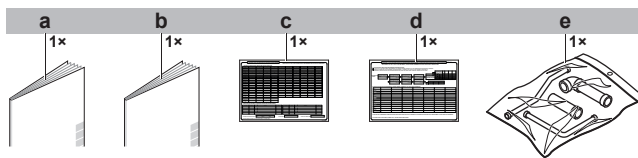
Tear apart and throw away plastic packaging bags so that nobody, especially children, can play with them. **Possible consequence:** suffocation.



14.2.2 To remove the accessories from the outdoor unit

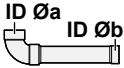
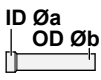
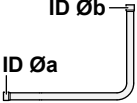



Make sure that all accessories are available in the unit.




- a General safety precautions
- b Installation manual and operation manual
- c Additional refrigerant charge label
- d Installation information sticker
- e Piping accessory bag

14.2.3 Accessory pipes: Diameters

Accessory pipes (mm)	HP	Øa	Øb
Gas pipe <ul style="list-style-type: none"> ▪ Front connection  ▪ Bottom connection  	8	25.4	19.1
	10		22.2
	12	28.6	
	14		
	16		
Liquid pipe <ul style="list-style-type: none"> ▪ Front connection  ▪ Bottom connection  	8	9.5	
	10		
	12	9.5	12.7
	14	12.7	
	16		

14.2.4 To remove the transportation stay

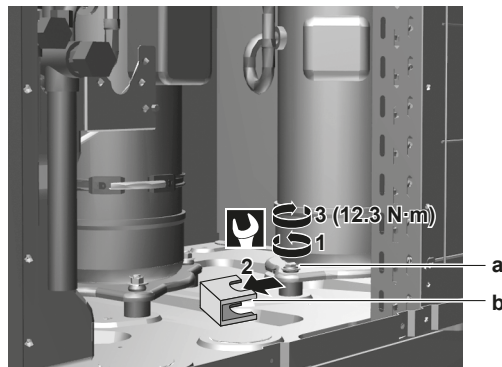
Only for 14+16 HP



NOTICE
If the unit is operated with the transportation stay attached, abnormal vibration or noise may be generated.

The transportation stay installed over the compressor leg for protecting the unit during transport must be removed. Proceed as shown in the figure and procedure below.

- 1 Slightly loosen the fixing nut.
- 2 Remove the transportation stay as shown in the figure below.
- 3 Tighten the fixing nut again.



- a** Fixing nut
- b** Transportation stay

15 About the units and options

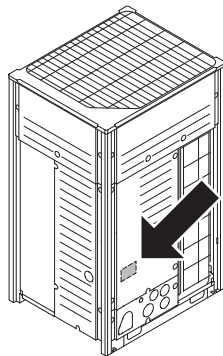
In this chapter

15.1	Identification label: Outdoor unit.....	52
15.2	About the outdoor unit	52
15.3	System layout.....	53
15.4	Combining units and options	54
15.4.1	About combining units and options	54
15.4.2	Possible combinations of indoor units	54
15.4.3	Possible combinations of outdoor units.....	54
15.4.4	Possible options for the outdoor unit.....	55

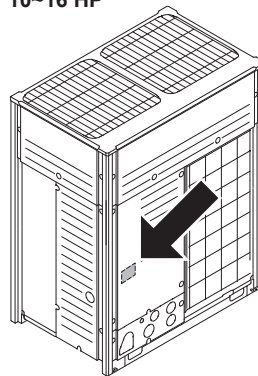
15.1 Identification label: Outdoor unit

Location

8 HP



10~16 HP



Model identification

Example: R X Y T Q 8 U7 YF [*]

Code	Explanation
R	Outdoor air cooled
X	X=Heat pump (no continuous heating)
Y	Y=Pair module only
T	High ambient (tropical) standard grade
Q	Refrigerant R410A
8	Capacity class
U7	Model series
YF	Power supply: 3N~, 380-415 V, 50 Hz Power supply: 3N~, 400 V, 60 Hz
[*]	Minor model change indication

15.2 About the outdoor unit

This installation manual concerns the VRV IV, full inverter driven, heat pump system.

Model line up:

Model	Description
RXYTQ8~16	Single non-continuous heating model.
RXYTQ18~48	Multi non-continuous heating model (consisting of 2 or 3 RXYTQ modules).

These units are intended for outdoor installation and aimed for heat pump air to air applications.

These units have (in single use) heating capacities ranging from 25 to 50 kW and cooling capacities rating from 22.4 to 45 kW. In multi combination the heating capacity can go up till 150 kW and in cooling till 135 kW.

The outdoor unit is designed to work in heating mode at ambient temperatures from -20°C WB to 15.5°C WB and in cooling mode at ambient temperatures from -5°C DB to 52°C DB.

Unit weights

Model	Total net weight (kg)	Total gross weight (kg)
RXYTQ8	198	211
RXYTQ10	234	251
RXYTQ12	234	251
RXYTQ14	283	300
RXYTQ16	283	300

15.3 System layout



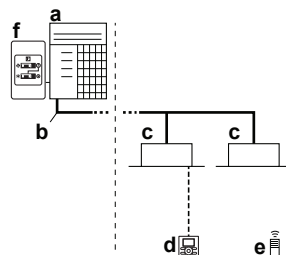
INFORMATION

The following figure is an example and may NOT completely match your system layout.



INFORMATION

Not all combinations of indoor units are allowed, for guidance, see "[15.4.2 Possible combinations of indoor units](#)" [[▶ 54](#)].



- a Heat pump outdoor unit
- b Refrigerant piping
- c VRV direct expansion (DX) indoor unit
- d User interface (dedicated depending on indoor unit type)
- e User interface (wireless, dedicated depending on indoor unit type)
- f Cool/Heat changeover remote control switch

15.4 Combining units and options



INFORMATION

Certain options may NOT be available in your country.

15.4.1 About combining units and options



NOTICE

To be sure your system setup (outdoor unit+indoor unit(s)) will work, you have to consult the latest technical engineering data for VRV IV heat pump.

The VRV IV heat pump system can be combined with several types of indoor units and is intended for R410A use only.

For an overview which units are available you can consult the product catalogue for VRV IV.

An overview is given indicating the allowed combinations of indoor units and outdoor units. Not all combinations are allowed. They are subject to rules (combination between outdoor-indoor, single outdoor unit use, multiple outdoor unit use, combinations between indoor units, etc.) mentioned in the technical engineering data.

15.4.2 Possible combinations of indoor units

In general following type of indoor units can be connected to a VRV IV heat pump system. The list is non-exhaustive and is depending on both outdoor unit model and indoor unit model combinations.

- VRV direct expansion (DX) indoor units (air to air applications).
- AHU (air-to-air applications): one of the following two combinations must be installed:
 - EKEXV-kit + EKEQM-box,
 - EKEXVA-kit + EKEACBVE-box.
- Air curtain (air-to-air applications). See the combination table in the databook for more information.

15.4.3 Possible combinations of outdoor units

Possible standalone outdoor units

RXYTQ8
RXYTQ10
RXYTQ12
RXYTQ14
RXYTQ16

Possible standard combinations of outdoor units

**INFORMATION**

U-series units cannot share the same refrigerant circuit with T-series units. However, electrically, U-series units and T-series units can be connected via F1/F2.

- RXYTQ18~48 consist of 2 or 3 RXYTQ8~16 units.
- Only the combinations in the table below are allowed.

Continuous heating
RXYTQ18 = RXYTQ10 + 8
RXYTQ20 = RXYTQ10 + 10
RXYTQ22 = RXYTQ10 + 12
RXYTQ24 = RXYTQ12 + 12
RXYTQ26 = RXYTQ14 + 12
RXYTQ28 = RXYTQ14 + 14
RXYTQ30 = RXYTQ10 + 10 + 10
RXYTQ32 = RXYTQ12 + 10 + 10
RXYTQ34 = RXYTQ12 + 12 + 10
RXYTQ36 = RXYTQ12 + 12 + 12
RXYTQ38 = RXYTQ14 + 12 + 12
RXYTQ40 = RXYTQ14 + 14 + 12
RXYTQ42 = RXYTQ14 + 14 + 14
RXYTQ44 = RXYTQ16 + 16 + 12
RXYTQ46 = RXYTQ16 + 16 + 14
RXYTQ48 = RXYTQ16 + 16 + 16

15.4.4 Possible options for the outdoor unit

**INFORMATION**

Refer to the technical engineering data for the latest option names.

Refrigerant branching kit

Description	Model name
Refnet header	KHRQ22M29H
	KHRQ22M64H
	KHRQ22M75H
Refnet joint	KHRQ22M20T
	KHRQ22M29T9
	KHRQ22M64T
	KHRQ22M75T

For the selection of the optimal branching kit, please refer to "17.1.4 To select refrigerant branch kits" [▶ 67].

Outdoor multi connection piping kit

Number of outdoor units	Model name
2	BHFQ22P1007
3	BHFQ22P1517

Cool/heat selector

In order to control the cooling or heating operation from a central location, the following option can be connected:

Description	Model name
Cool/heat changeover switch	KRC19-26A
Cool/heat changeover PCB	BRP2A81
With optional fixing box for the switch	KJB111A

External control adaptor (DTA104A61/62)

To instruct specific operation with an external input coming from a central control the external control adaptor can be used. Instructions (group or individual) can be instructed for low noise operation and power consumption limitation operation.

PC configurator cable (EKPCAB*)

You can make several commissioning field settings through a personal computer interface. For this option EKPCAB* is required which is a dedicated cable to communicate with the outdoor unit. The user interface software is available on <http://www.daikineurope.com/support-and-manuals/software-downloads/>.

Demand PCB (EKRP1AHTA)

To enable the power saving consumption control by digital inputs you MUST install the demand PCB.

For installation instructions, see the installation manual of the demand PCB and addendum book for optional equipment.

16 Unit installation

In this chapter

16.1	Preparing the installation site	57
16.1.1	Installation site requirements of the outdoor unit	57
16.1.2	Securing safety against refrigerant leaks.....	59
16.2	Opening the unit.....	61
16.2.1	About opening the units	61
16.2.2	To open the outdoor unit	61
16.2.3	To open the switch box of the outdoor unit	61
16.3	Mounting the outdoor unit	62
16.3.1	To provide the installation structure.....	62
16.3.2	To install the outdoor unit.....	63

16.1 Preparing the installation site

16.1.1 Installation site requirements of the outdoor unit

- Provide sufficient space around the unit for servicing and air circulation.
- Make sure the installation site withstands the weight and vibration of the unit.
- Make sure the area is well ventilated. Do NOT block any ventilation openings.
- Make sure the unit is level.
- Select a place where rain can be avoided as much as possible.
- Select the location of the unit in such a way that the sound generated by the unit does not disturb anyone, and the location is selected according the applicable legislation.

Do NOT install the unit in the following places:

- In potentially explosive atmospheres.
- In places where there is machinery that emits electromagnetic waves. Electromagnetic waves may disturb the control system, and cause malfunction of the equipment.
- In places where there is a risk of fire due to the leakage of flammable gases (example: thinner or gasoline), carbon fibre, ignitable dust.
- In places where corrosive gas (example: sulphurous acid gas) is produced. Corrosion of copper pipes or soldered parts may cause the refrigerant to leak.
- In places where a mineral oil mist, spray or vapour may be present in the atmosphere. Plastic parts may deteriorate and fall off or cause water leakage.



NOTICE

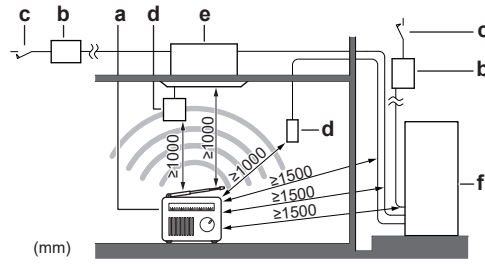
This is a class A product. In a domestic environment this product may cause radio interference in which case the user may be required to take adequate measures.



NOTICE

The equipment described in this manual may cause electronic noise generated from radio-frequency energy. The equipment complies with specifications that are designed to provide reasonable protection against such interference. However, there is no guarantee that interference will not occur in a particular installation.

It is therefore recommended to install the equipment and electric wires in such a way that they keep a proper distance from stereo equipment, personal computers, etc.



- a Personal computer or radio
- b Fuse
- c Earth leakage protector
- d User interface
- e Indoor unit
- f Outdoor unit

- In places with weak reception, keep distances of 3 m or more to avoid electromagnetic disturbance of other equipment and use conduit tubes for power and transmission lines.



CAUTION

Appliance NOT accessible to the general public, install it in a secured area, protected from easy access.

This unit, both indoor and outdoor, is suitable for installation in a commercial and light industrial environment.

- When installing, take strong winds, typhoons or earthquakes into account, improper installation may result in the unit turning over.
- Ensure that in the event of a water leak, no damage occurs to the installation space or its surroundings.
- When installing the unit in a small room, take measures in order to keep the refrigerant concentration from exceeding allowable safety limits in the event of a refrigerant leak, refer to "[About safety against refrigerant leaks](#)" [▶ 59].



CAUTION

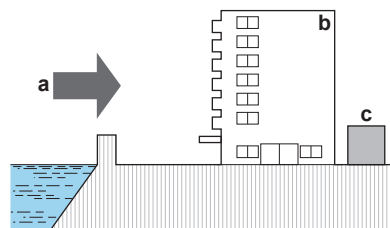
Excessive refrigerant concentrations in a closed room can lead to oxygen deficiency.

- Be sure that the air inlet of the unit is not positioned towards the main wind direction. Frontal wind will disturb the operation of the unit. If necessary, use a screen to block the wind.
- Ensure that water cannot cause any damage to the location by adding water drains to the foundation and by preventing water traps in the construction.

Seaside installation. Make sure the outdoor unit is NOT directly exposed to sea winds. This is to prevent corrosion caused by high levels of salt in the air, which might shorten the life of the unit.

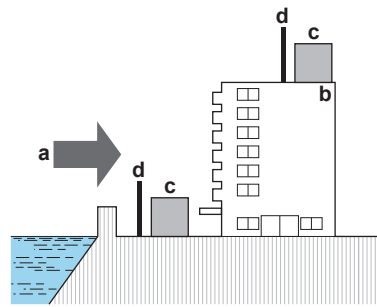
Install the outdoor unit away from direct sea winds.

Example: Behind the building.



If the outdoor unit is exposed to direct sea winds, install a windbreaker.

- Height of windbreaker $\geq 1.5 \times$ height of outdoor unit
- Mind the service space requirements when installing the windbreaker.



- a Sea wind
- b Building
- c Outdoor unit
- d Windbreaker

16.1.2 Securing safety against refrigerant leaks

About safety against refrigerant leaks

The installer and system specialist shall secure safety against leakage according to local regulations or standards. The following standards may be applicable if local regulations are not available.

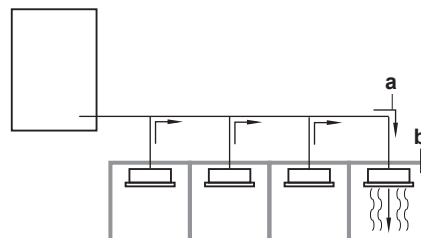
This system uses R410A as refrigerant. R410A itself is an entirely safe non-toxic, non-combustible refrigerant. Nevertheless care must be taken to ensure that the system is installed in a room which is sufficiently large. This assures that the maximum concentration level of refrigerant gas is not exceeded, in the unlikely event of major leak in the system and this in accordance to the local applicable regulations and standards.

About the maximum concentration level

The maximum charge of refrigerant and the calculation of the maximum concentration of refrigerant is directly related to the humanly occupied space in to which it could leak.

The unit of measurement of the concentration is kg/m^3 (the weight in kg of the refrigerant gas in 1 m^3 volume of the occupied space).

Compliance to the local applicable regulations and standards for the maximum allowable concentration level is required.



- a Direction of the refrigerant flow
- b Room where refrigerant leak has occurred (outflow of all the refrigerant from the system)

Pay special attention to places such as basements etc., where refrigerant can accumulate, because refrigerant is heavier than air.

To check the maximum concentration level

Check the maximum concentration level in accordance with steps 1 to 4 below and take whatever action is necessary to comply.

- 1 Calculate the amount of refrigerant (kg) charged to each system separately.

Formula	$A+B=C$
A	Amount of refrigerant in a single unit system (amount of refrigerant with which the system is charged before leaving the factory)
B	Additional charging amount (amount of refrigerant added locally)
C	Total amount of refrigerant (kg) in the system



NOTICE

Where a single refrigerant facility is divided into 2 entirely independent refrigerant systems, use the amount of refrigerant with which each separate system is charged.

- 2 Calculate the volume of the room (m^3) where the indoor unit is installed. In a case such as the following, calculate the volume of (D), (E) as a single room or as the smallest room.

D	<p>When there are no smaller room divisions:</p>
E	<p>When there is a room division that has an opening sufficiently large to permit free air flow.</p> <p>a Opening between the rooms. In case there is a door the openings above and below the door each must be equivalent in size to 0.15% or more of the floor area.</p> <p>b Room division</p>

- 3 Calculate the refrigerant density using the results of the calculations in steps 1 and 2 above. If the result of the above calculation exceeds the maximum concentration level, a ventilation opening to the adjacent room shall be made.

Formula	$F/G \leq H$
F	Total volume of refrigerant in the refrigerant system
G	Size (m^3) of smallest room in which there is an indoor unit installed
H	Maximum concentration level (kg/m^3)

- 4 Calculate the refrigerant density taking the volume of the room where the indoor unit is installed and the adjacent room. Install ventilation openings in the door of adjacent rooms until the refrigerant density is smaller than the maximum concentration level.

16.2 Opening the unit

16.2.1 About opening the units

At certain times, you have to open the unit. **Example:**

- When connecting the electrical wiring
- When maintaining or servicing the unit



DANGER: RISK OF ELECTROCUTION

Do NOT leave the unit unattended when the service cover is removed.

16.2.2 To open the outdoor unit

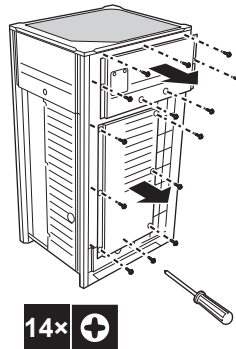


DANGER: RISK OF ELECTROCUTION

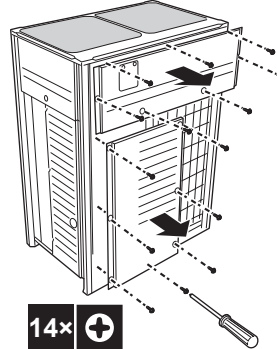


DANGER: RISK OF BURNING/SCALDING

8 HP



10~16 HP



Once the front plates open, the switch box can be accessed. See "[16.2.3 To open the switch box of the outdoor unit](#)" [[▶ 61](#)].

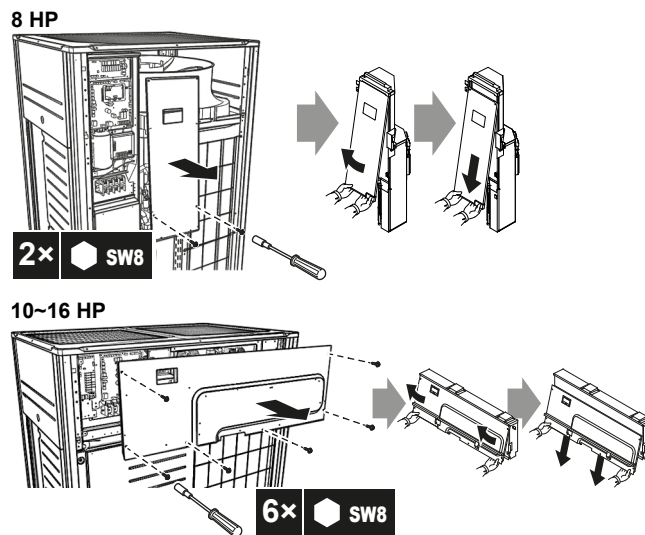
For service purposes, the pushbuttons on the main PCB need to be accessed. To access these pushbuttons, the switch box cover does not need to be opened. See "[20.1.3 To access the field setting components](#)" [[▶ 110](#)].

16.2.3 To open the switch box of the outdoor unit



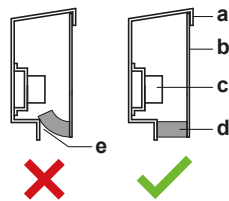
NOTICE

Do NOT apply excessive force when opening the switch box cover. Excessive force can deform the cover, resulting in entering of water to cause equipment failure.



NOTICE

When closing the switch box cover, make sure that the sealing material on the lower back side of the cover is NOT caught and bent towards the inside (see figure below).



- a Switch box cover
- b Front side
- c Power supply terminal block
- d Sealing material
- e Moisture and dirt could enter
- ✗ NOT allowed
- ✓ Allowed

16.3 Mounting the outdoor unit

16.3.1 To provide the installation structure

Make sure the unit is installed level on a sufficiently strong base to prevent vibration and noise.



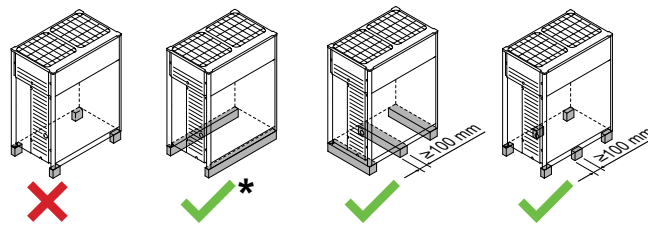
NOTICE

- When the installation height of the unit needs to be increased, do NOT use stands to only support the corners.
- Stands under the unit must be at least 100 mm wide.



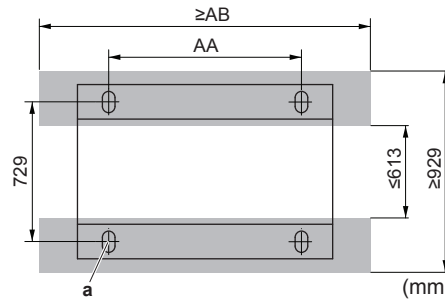
NOTICE

The height of the foundation must at least be 150 mm from the floor. In heavy snowfall areas, this height should be increased up to the average expected snow level, depending on the installation place and condition.



✗ NOT allowed
✔ Allowed (* = preferred installation)

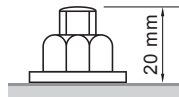
- The preferred installation is on a solid longitudinal foundation (steel beam frame or concrete). The foundation must be larger than the grey marked area.



Minimum foundation
a Anchor point (4x)

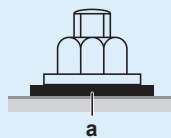
HP	AA	AB
8	766	992
10~16	1076	1302

- Fasten the unit in place using four foundation bolts M12. It is best to screw in the foundation bolts until their length remains 20 mm above the foundation surface.



NOTICE

- Prepare a water drainage channel around the foundation to drain waste water from around the unit. During heating operation and when the outdoor temperatures are negative, the drained water from the outdoor unit will freeze up. If the water drainage is not taken care of, the area around the unit might be very slippery.
- When installed in a corrosive environment, use a nut with plastic washer (a) to protect the nut tightening part from rust.



16.3.2 To install the outdoor unit

- 1 Transport the unit by crane or forklift and put it onto the installation structure.
- 2 Fix the unit to the installation structure.
- 3 If transported by crane, remove the slings.

17 Piping installation

In this chapter

17.1	Preparing refrigerant piping.....	64
17.1.1	Refrigerant piping requirements.....	64
17.1.2	Refrigerant piping insulation.....	65
17.1.3	To select the piping size.....	65
17.1.4	To select refrigerant branch kits.....	67
17.1.5	About the piping length.....	68
17.1.6	Piping length: VRV DX only.....	69
17.1.7	Piping length: AHU.....	72
17.1.8	Multiple outdoor units: Possible layouts.....	74
17.2	Connecting the refrigerant piping.....	75
17.2.1	About connecting the refrigerant piping.....	75
17.2.2	Precautions when connecting the refrigerant piping.....	76
17.2.3	Multiple outdoor units: Knockout holes.....	76
17.2.4	Using the stop valve and service port.....	77
17.2.5	To route the refrigerant piping.....	79
17.2.6	To protect against contamination.....	79
17.2.7	To remove the pinched pipes.....	80
17.2.8	To braze the pipe end.....	81
17.2.9	To connect the refrigerant piping to the outdoor unit.....	82
17.2.10	To connect the multi connection piping kit.....	82
17.2.11	To connect the refrigerant branching kit.....	83
17.3	Checking the refrigerant piping.....	84
17.3.1	About checking the refrigerant piping.....	84
17.3.2	Checking refrigerant piping: General guidelines.....	85
17.3.3	Checking refrigerant piping: Setup.....	85
17.3.4	To perform a leak test.....	86
17.3.5	To perform vacuum drying.....	87
17.3.6	To insulate the refrigerant piping.....	87

17.1 Preparing refrigerant piping

17.1.1 Refrigerant piping requirements



NOTICE

The refrigerant R410A requires strict cautions for keeping the system clean, dry and tight.

- Clean and dry: foreign materials (including mineral oils or moisture) should be prevented from getting mixed into the system.
- Tight: R410A does not contain any chlorine, does not destroy the ozone layer, and does not reduce earth's protection against harmful ultraviolet radiation. R410A can contribute to the greenhouse effect if it is released. Therefore pay special attention to check the tightness of the installation.



NOTICE

The piping and other pressure-containing parts shall be suitable for refrigerant. Use phosphoric acid deoxidised seamless copper for refrigerant piping.

- Only use phosphoric acid deoxidised seamless copper.
- Foreign materials inside pipes (including oils for fabrication) must be ≤30 mg/10 m.
- Temper grade: use piping with temper grade in function of the pipe diameter as listed in table below.

Pipe Ø	Temper grade of piping material
≤15.9 mm	O (annealed)
≥19.1 mm	1/2H (half hard)

- All piping lengths and distances have been taken into consideration (see "17.1.5 About the piping length" [▶ 68]).

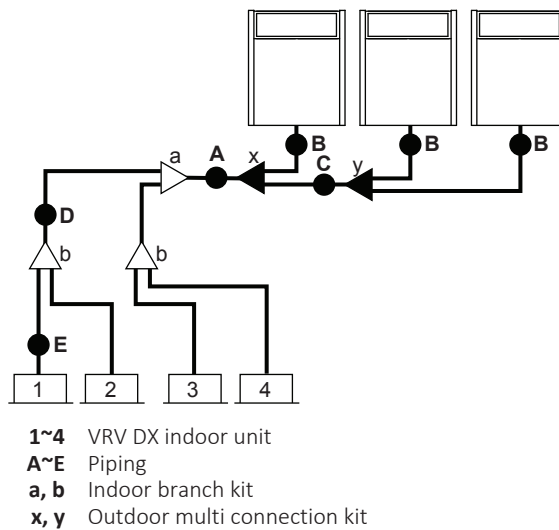
17.1.2 Refrigerant piping insulation

- Use polyethylene foam as insulation material:
 - with a heat transfer rate between 0.041 and 0.052 W/mK (0.035 and 0.045 kcal/mh°C)
 - with a heat resistance of at least 120°C
- Insulation thickness:

Ambient temperature	Humidity	Minimum thickness
≤30°C	75% to 80% RH	15 mm
>30°C	≥80% RH	20 mm

17.1.3 To select the piping size

Determine the proper size using the following tables for connections to DX indoor units and AHU units (the reference figure is only for indication).



A, B, C: Piping between outdoor unit and (first) refrigerant branch kit

Choose from the following table in accordance with the outdoor unit total capacity type, connected downstream.

Outdoor unit capacity type (HP)	Piping outer diameter size [mm]	
	Gas pipe	Liquid pipe
8	19.1	9.5
10	22.2	9.5
12~16	28.6	12.7
18~22	28.6	15.9
24	34.9	15.9

Outdoor unit capacity type (HP)	Piping outer diameter size [mm]	
	Gas pipe	Liquid pipe
26~34	34.9	19.1
36~48	41.3	19.1

D: Piping between refrigerant branch kits

Choose from the following table in accordance with the indoor unit total capacity type, connected downstream. Do not let the connection piping exceed the refrigerant piping size chosen by the general system model name.

Indoor unit capacity index	Piping outer diameter size (mm)	
	Gas pipe	Liquid pipe
<150	15.9	9.5
150≤x<200	19.1	
200≤x<290	22.2	
290≤x<420	28.6	12.7
420≤x<640		15.9
640≤x<920	34.9	19.1
≥920	41.3	

Example:

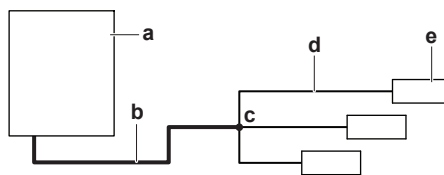
- Downstream capacity for E=capacity index of unit 1
- Downstream capacity for D=capacity index of unit 1+capacity index of unit 2

E: Piping between refrigerant branch kit and indoor unit

Pipe size for direct connection to indoor unit must be the same as the connection size of the indoor unit (in case indoor unit is VRV DX indoor).

Indoor unit capacity index	Piping outer diameter size (mm)	
	Gas pipe	Liquid pipe
15~50	12.7	6.4
63~140	15.9	9.5
200	19.1	
250	22.2	

- When the equivalent pipe length between outdoor and indoor units is 90 m or more, the size of the main pipes (both gas side and liquid side) must be increased. Depending on the length of the piping, the capacity may drop, but even in such a case the size of the main pipes has to be increased. More specifications can be found in the technical engineering data book.



- a Outdoor unit
- b Main pipes (increase if the equivalent piping length is ≥90 m)
- c First refrigerant branch kit
- d Piping between refrigerant branch kit and indoor unit
- e Indoor unit

Size up		
HP class	Piping outer diameter size (mm)	
	Gas pipe	Liquid pipe
8	19.1 → 22.2	9.5 → 12.7
10	22.2 → 25.4 ^(a)	
12+14	28.6 ^(b)	12.7 → 15.9
16	28.6 → 31.8 ^(a)	
18~22		15.9 → 19.1
24	34.9 ^(b)	
26~34	34.9 → 38.1 ^(a)	19.1 → 22.2
36~48	41.3 ^(b)	

^(a) If the size-up size is NOT available, you must use the standard size. Sizes bigger than the size-up size are NOT allowed. But even if you use the standard size, the equivalent piping length is allowed to be more than 90 m.

^(b) Pipe size-up is NOT allowed.

- The pipe thickness of the refrigerant piping shall comply with the applicable legislation. The minimal pipe thickness for R410A piping must be in accordance with the table below.

Pipe Ø (mm)	Minimal thickness t (mm)
6.4/9.5/12.7	0.80
15.9	0.99
19.1/22.2	0.80
28.6	0.99
34.9	1.21
41.3	1.43

- In case the required pipe sizes (inch sizes) are not available, it is also allowed to use other diameters (mm sizes), taken the following into account:
 - Select the pipe size nearest to the required size.
 - Use the suitable adapters for the changeover from inch to mm pipes (field supply).
 - The additional refrigerant calculation has to be adjusted as mentioned in "18.3 To determine the additional refrigerant amount" [▶ 90].

17.1.4 To select refrigerant branch kits

Refrigerant refnets

For piping example, refer to "17.1.3 To select the piping size" [▶ 65].

- When using refnet joints at the first branch counted from the outdoor unit side, choose from the following table in accordance with the capacity of the outdoor unit (example: refnet joint a).

Outdoor unit capacity type (HP)	Refrigerant branch kit
8+10	KHRQ22M29T9
12~22	KHRQ22M64T
24~48	KHRQ22M75T

- For refnet joints other than the first branch (example refnet joint b), select the proper branch kit model based on the total capacity index of all indoor units connected after the refrigerant branch.

Indoor unit capacity index	Refrigerant branch kit
<200	KHRQ22M20T
200≤x<290	KHRQ22M29T9
290≤x<640	KHRQ22M64T
≥640	KHRQ22M75T

- Concerning refnet headers, choose from the following table in accordance with the total capacity of all the indoor units connected below the refnet header.

Indoor unit capacity index	Refrigerant branch kit
<200	KHRQ22M29H
200≤x<290	
290≤x<640	KHRQ22M64H ^(a)
≥640	KHRQ22M75H

^(a) If the pipe size above the refnet header is Ø34.9 mm or more, KHRQ22M75H is required.



INFORMATION

Maximum 8 branches can be connected to a header.

- How to choose an outdoor multi connection piping kit. Choose from the following table in accordance with the number of outdoor units.

Number of outdoor units	Branch kit name
2	BHFQ22P1007
3	BHFQ22P1517



INFORMATION

Reducers or T-joints are field supplied.



NOTICE

Refrigerant branch kits can only be used with R410A.

17.1.5 About the piping length

Make sure to perform the piping installation within the range of the maximum allowable pipe length, allowable level difference and allowable length after branching as indicated below.

Definitions

Term	Definition
Actual piping length	Pipe length between outdoor ^(a) and indoor units.
Equivalent piping length^(b)	Pipe length between outdoor ^(a) and indoor units.
Total piping length	Total piping length from the outdoor ^(a) to all indoor units.

Term	Definition
H1	Difference in height between outdoor and indoor units.
H2	Difference in height between indoor and indoor units.
H3	Difference in height between outdoor and outdoor units.

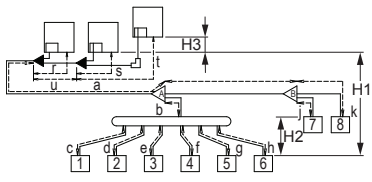
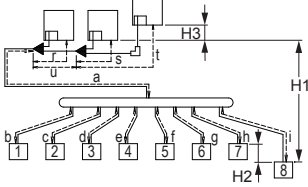
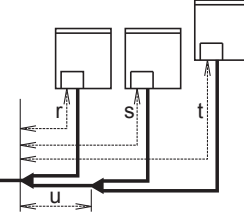
- ^(a) If the system is a multi outdoor installation: measure length from the first outdoor branch as seen from the indoor unit.
- ^(b) Assume equivalent piping length of refnet joint=0.5 m and refnet header=1 m (for calculation purposes of equivalent piping length, not for refrigerant charge calculations).

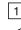



17.1.6 Piping length: VRV DX only

For system only containing VRV DX indoor units:

System setup

Example	Description
<p>Example 1.1</p>	Single outdoor Branch with refnet joint
<p>Example 1.2</p>	Single outdoor Branch with refnet joint and refnet header
<p>Example 1.3</p>	Single outdoor Branch with refnet header
<p>Example 2.1</p>	Multi outdoor Branch with refnet joint

Example	Description
<p style="text-align: center;">Example 2.2</p> 	<p>Multi outdoor Branch with refnet joint and refnet header</p>
<p style="text-align: center;">Example 2.3</p> 	<p>Multi outdoor Branch with refnet header</p>
<p style="text-align: center;">Example 3</p> 	<p>With standard multi layout</p>

-  Indoor unit
-  Refnet joint
-  Refnet header
-  Outdoor multi connection piping kit

Maximum allowable length

- Between outdoor and indoor units (single installation/multi combinations)

<p>Actual piping length</p>	<p>165 m/135 m</p> <p>Example 1.1</p> <ul style="list-style-type: none"> ▪ unit 8: $a+b+c+d+e+f+g+p \leq 165$ m <p>Example 1.2</p> <ul style="list-style-type: none"> ▪ unit 6: $a+b+h \leq 165$ m ▪ unit 8: $a+i+k \leq 165$ m <p>Example 1.3</p> <ul style="list-style-type: none"> ▪ unit 8: $a+i \leq 165$ m <p>Example 2.1</p> <ul style="list-style-type: none"> ▪ unit 8: $a+b+c+d+e+f+g+p \leq 135$ m
<p>Equivalent length</p>	<p>190 m/160 m</p>
<p>Total piping length</p>	<p>1000 m/500 m</p> <p>Example 1.1</p> <ul style="list-style-type: none"> ▪ $a+b+c+d+e+f+g+h+i+j+k+l+m+n+p \leq 1000$ m <p>Example 2.1</p> <ul style="list-style-type: none"> ▪ $a+b+c+d+e+f+g+h+i+j+k+l+m+n+p \leq 500$ m

- Between outdoor branch and outdoor unit (only in case >16 HP)

Actual piping length	10 m Example 3 ▪ r, s, t≤10 m; u≤5 m
Equivalent length	13 m

Maximum allowable height difference

H1	<p>≤50 m (40 m) (if outdoor is located below indoor units) Conditional extension up till 90 m is possible without additional option kit:</p> <ul style="list-style-type: none"> ▪ In case the outdoor location is higher than indoor: extension is possible up till 90 m and following 2 conditions must be fulfilled: <ul style="list-style-type: none"> - Liquid piping size up (see table "Size up" in "E: Piping between refrigerant branch kit and indoor unit" [▶ 66]). - Dedicated setting on outdoor unit is required (see [2-49] in "20.1.8 Mode 2: field settings" [▶ 116]). ▪ In case the outdoor location is lower than indoor: extension is possible up till 90 m and following 6 conditions must be fulfilled: <ul style="list-style-type: none"> - 40~60 m: minimum connection ratio connected: 80%. - 60~65 m: minimum connection ratio connected: 90%. - 65~80 m: minimum connection ratio connected: 100%. - 80~90 m: minimum connection ratio connected: 110%. - Liquid piping size up (see table "Size up" in "E: Piping between refrigerant branch kit and indoor unit" [▶ 66]). - Dedicated setting on outdoor unit is required (see [2-35] in "20.1.8 Mode 2: field settings" [▶ 116]).
H2	≤30 m
H3	≤5 m

Maximum allowable length after branch

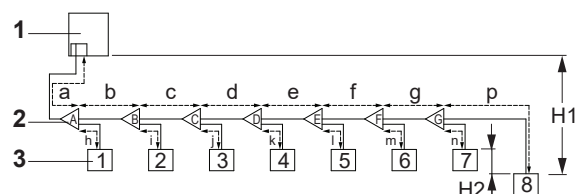
The pipe length from the first refrigerant branch kit to the indoor unit ≤40 m.

Example 1.1: unit 8: $b+c+d+e+f+g+p \leq 40$ m

Example 1.2: unit 6: $b+h \leq 40$ m, unit 8: $i+k \leq 40$ m

Example 1.3: unit 8: $i \leq 40$ m

However, extension is possible if all below conditions are met. In this case limitation can be extended up to 90 m.



- 1 Outdoor unit
- 2 Refnet joints (A~G)
- 3 Indoor units (1~8)

Conditions:

- a** The piping length between all indoor units to the nearest branch kit is ≤ 40 m.
Example: $h, i, j \dots p \leq 40$ m
- b**
 - It is necessary to increase the pipe size of the gas and liquid piping if the pipe length between the first branch kit and the farthest indoor unit is over 40 m.
 - If the increased pipe size is larger than the pipe size of the main pipe, then the pipe size of the main pipe has to be increased as well.

Increase the pipe size as follows:
 $9.5 \rightarrow 12.7$; $12.7 \rightarrow 15.9$; $15.9 \rightarrow 19.1$; $19.1 \rightarrow 22.2$; $22.2 \rightarrow 25.4^{(a)}$; $28.6 \rightarrow 31.8^{(a)}$; $34.9 \rightarrow 38.1^{(a)}$

^(a) If the size-up size is NOT available, you must use the standard size. Sizes bigger than the size-up size are NOT allowed. But even if you use the standard size, you can increase the maximum allowable length after the first branch if all other conditions are met.

Example: unit 8: $b+c+d+e+f+g+p \leq 90$ m and $b+c+d+e+f+g > 40$ m; increase the pipe size of b, c, d, e, f, g.
- c**
 - When the piping size is increased (step b), the piping length has to be counted as double (except for the main pipe and the pipes that are not increased in pipe size).
 - The total piping length has to be within limitations (see table above).

Example: $a+b \times 2+c \times 2+d \times 2+e \times 2+f \times 2+g \times 2+h+i+j+k+l+m+n+p \leq 1000$ m (500 m).
- d** The piping length difference between the nearest indoor unit (from first branch) to the outdoor unit and the farthest indoor unit to the outdoor unit is ≤ 40 m.
Example: The farthest indoor unit 8. The nearest indoor unit 1 $\rightarrow (a+b+c+d+e+f+g+p)-(a+h) \leq 40$ m.

17.1.7 Piping length: AHU

Connection with only one air handling unit (pair layout)

Pipe	Maximum length (actual/equivalent)
Longest pipe from the outdoor unit or the last multi-outdoor piping branch	50 m/55 m ^(a)
In case of a multi-outdoor setup: longest pipe from the outdoor unit to the last multi-outdoor piping branch	10 m/13 m
Total pipe length	150 m ^(b)

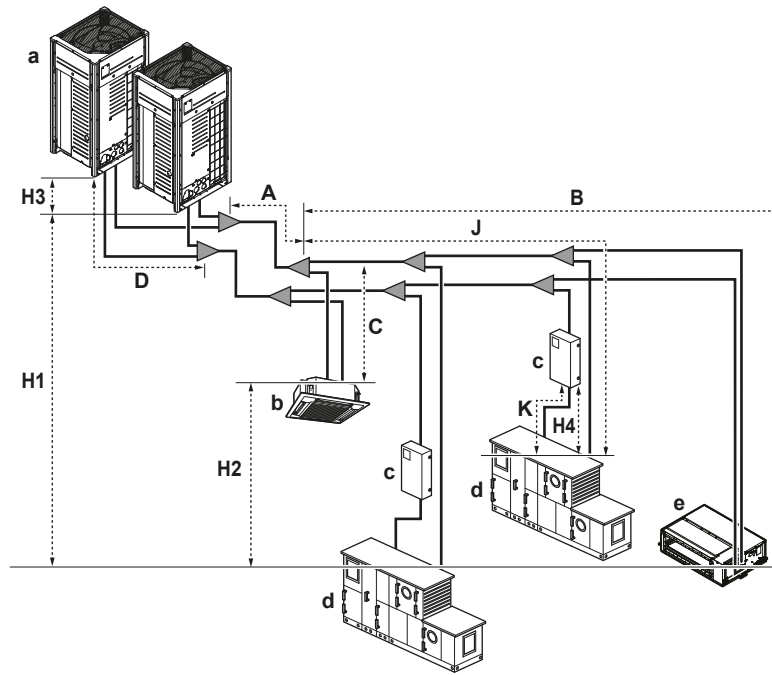
^(a) The allowable minimum length is 5 m.
^(b) Up to three piping branches are possible in case of an AHU with an interlaced heat exchanger.

Connection with VRV DX indoor units and air handling units (mix layout) and connection with only air handling units (multi layout)

i

INFORMATION

The following figure is an example and may NOT completely match your system layout.



- a Outdoor unit
- b VRV DX indoor unit
- c EKEXV(A)-kit
- d Air handling unit (AHU)
- e VRV DX indoor unit (duct)

Pipe	Maximum length (actual/equivalent)
Longest pipe from the outdoor unit or the last multi-outdoor piping branch (A + [B, J])	165 m/190 m ^(a)
Longest pipe after the first branch (B, J)	40 m/—
In case of a multi-outdoor setup: longest pipe from the outdoor unit to the last multi-outdoor piping branch (D)	10 m/13 m
Total pipe length	500 m/—

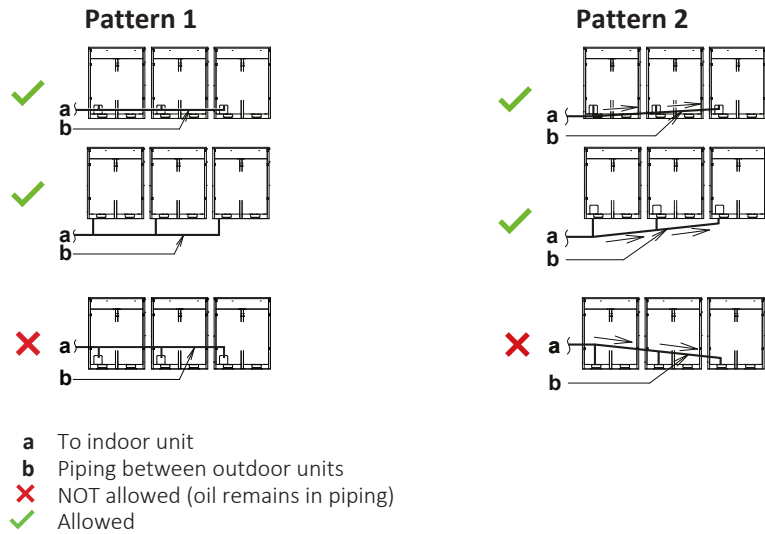
^(a) If the equivalent piping length is more than 90 m, size up the main piping according to "17.1.3 To select the piping size" [▶ 65].

Allowable height difference

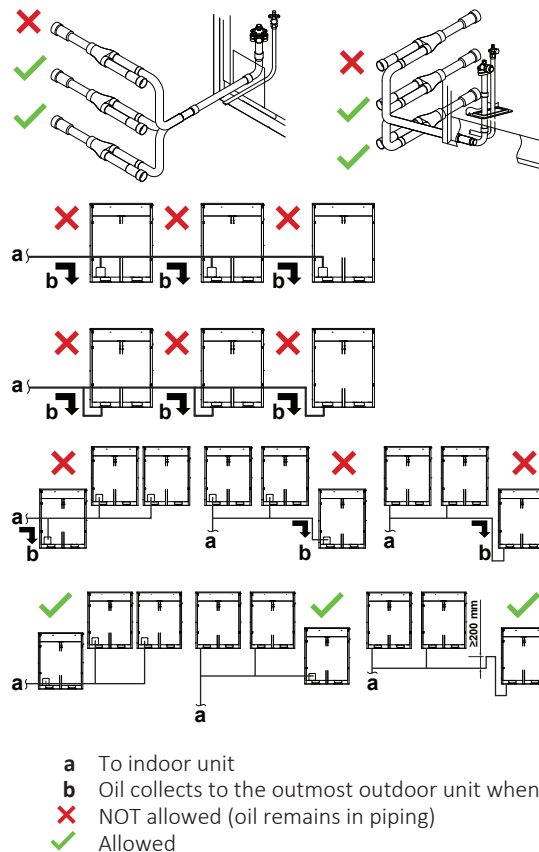
Term	Definition	Height difference [m]
H1	Height difference between outdoor and AHU	40
H2	Height difference between indoor unit and AHU units	15
H3	Height difference between outdoor units	5
H4	Height difference between EKEXV(A)-kits and AHU units	5

17.1.8 Multiple outdoor units: Possible layouts

- The piping between the outdoor units must be routed level or slightly upward to avoid the risk of oil retention into the piping.



- To avoid the risk of oil retention to the outmost outdoor unit, always connect the stop valve and the piping between outdoor units as shown in the correct (✓) possibilities of the figure below.



- If the piping length between the outdoor units exceeds 2 m, create a rise of 200 mm or more in the gas line within a length of 2 m from the kit.

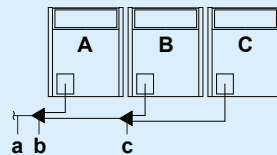
If	Then
≤2 m	
>2 m	

- a** To indoor unit
b Piping between outdoor units



NOTICE

There are restrictions on the refrigerant pipe connection order between outdoor units during installation in case of a multiple outdoor unit system. Install according to following restrictions. The capacities of outdoor units A, B and C must fulfill the following restriction conditions: $A \geq B \geq C$.



- a** To indoor units
b Outdoor unit multi connecting piping kit (first branch)
c Outdoor unit multi connecting piping kit (second branch)

17.2 Connecting the refrigerant piping

17.2.1 About connecting the refrigerant piping

Before connecting the refrigerant piping, make sure the outdoor and indoor units are mounted.

Connecting the refrigerant piping involves:

- Routing and connecting the refrigerant piping to the outdoor unit
- Protecting the outdoor unit against contamination
- Connecting the refrigerant piping to the indoor units (see the installation manual of the indoor units)
- Connecting the multi-connection piping kit
- Connecting the refrigerant branching kit
- Keeping in mind the guidelines for:
 - Brazing
 - Using the stop valves
 - Removing the pinched pipes

17.2.2 Precautions when connecting the refrigerant piping



NOTICE

Make sure refrigerant piping installation complies with applicable legislation. In Europe, EN378 is the applicable standard.



NOTICE

Make sure the field piping and connections are NOT subjected to stress.



WARNING

During tests, NEVER pressurise the product with a pressure higher than the maximum allowable pressure (as indicated on the nameplate of the unit).



WARNING

Take sufficient precautions in case of refrigerant leakage. If refrigerant gas leaks, ventilate the area immediately. Possible risks:

- Excessive refrigerant concentrations in a closed room can lead to oxygen deficiency.
- Toxic gas might be produced if refrigerant gas comes into contact with fire.



WARNING

ALWAYS recover the refrigerant. Do NOT release them directly into the environment. Use a vacuum pump to evacuate the installation.

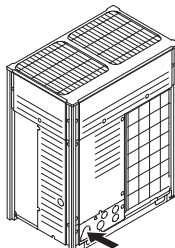
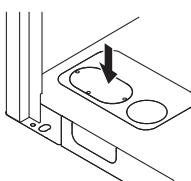
- Only use phosphoric acid deoxidised seamless copper.



NOTICE

After all the piping has been connected, make sure there is no gas leak. Use nitrogen to perform a gas leak detection.

17.2.3 Multiple outdoor units: Knockout holes

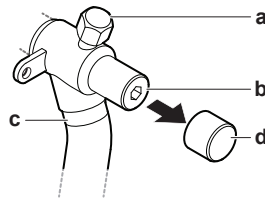
Connection	Description
Front connection	Remove the front plate knockout holes to connect. <div style="text-align: center;">  </div>
Bottom connection	Remove the knockout holes on the bottom frame and route the piping under the bottom. <div style="text-align: center;">  </div>

17.2.4 Using the stop valve and service port

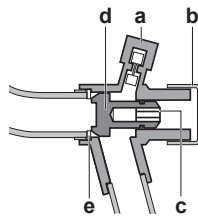
To handle the stop valve

Take the following guidelines into account:

- The gas and liquid stop valves are factory closed.
- Make sure to keep all stop valves open during operation.
- The figures below show the name of each part required in handling the stop valve.



- a** Service port and service port cover
- b** Stop valve
- c** Field piping connection
- d** Dust cap

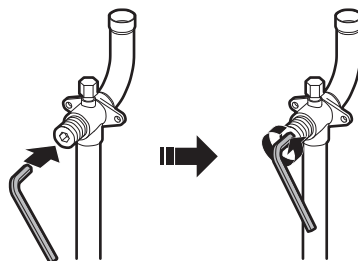


- a** Service port
- b** Dust cap
- c** Hexagon hole
- d** Shaft
- e** Seal

- Do NOT apply excessive force to the stop valve. Doing so may break the valve body.

To open the stop valve

- 1 Remove the stop valve cover.
- 2 Insert a hexagon wrench into the stop valve and turn the stop valve counterclockwise.



- 3 When the stop valve cannot be turned any further, stop turning.
- 4 Install the stop valve cover.

Result: The valve is now open.

To fully open the $\varnothing 19.1 \sim \varnothing 25.4$ mm stop valve, turn the hexagonal wrench until a torque between 27 and 33 N•m is achieved.

Inadequate torque may cause leakage of refrigerant and breakage of the stop valve cap.

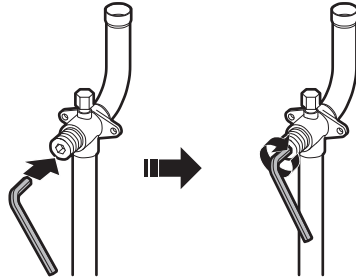


NOTICE

Pay attention that mentioned torque range is applicable for opening $\varnothing 19.1 \sim \varnothing 25.4$ mm stop valves only.

To close the stop valve

- 1 Remove the stop valve cover.
- 2 Insert a hexagon wrench into the stop valve and turn the stop valve clockwise.

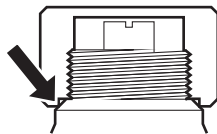


- 3 When the stop valve cannot be turned any further, stop turning.
- 4 Install the stop valve cover.

Result: The valve is now closed.

To handle the stop valve cover

- The stop valve cover is sealed where indicated by the arrow. Do NOT damage it.
- After handling the stop valve, tighten the stop valve cover securely, and check for refrigerant leaks. For the tightening torque, refer to the table below.



To handle the service port

- Always use a charge hose equipped with a valve depressor pin, since the service port is a Schrader type valve.
- After handling the service port, make sure to tighten the service port cover securely. For the tightening torque, refer to the table below.
- Check for refrigerant leaks after tightening the service port cover.

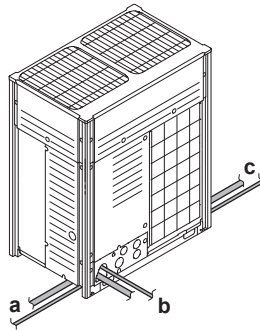
Tightening torques

Stop valve size [mm]	Tightening torque [N•m] ^(a)		
	Valve body	Hexagonal wrench	Service port
$\varnothing 9.5$	5~7	4 mm	10.7~14.7
$\varnothing 12.7$	8~10		
$\varnothing 15.9$	14~16	6 mm	
$\varnothing 19.1$	19~21	8 mm	
$\varnothing 25.4$			

^(a) When opening or closing.

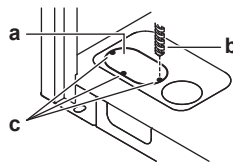
17.2.5 To route the refrigerant piping

Installation of refrigerant piping is possible as front connection or side connection (when taken out from the bottom) as shown in the figure below.



- a** Left-side connection
- b** Front connection
- c** Right-side connection

Note: For side connections, remove the knockout hole on the bottom plate as shown below:



- a** Large knockout hole
- b** Drill
- c** Points for drilling



NOTICE

Precautions when making knockout holes:

- Avoid damaging the casing.
- After making the knockout holes, we recommend you remove the burrs and paint the edges and areas around the edges using repair paint to prevent rusting.
- When passing electrical wiring through the knockout holes, wrap the wiring with protective tape to prevent damage.

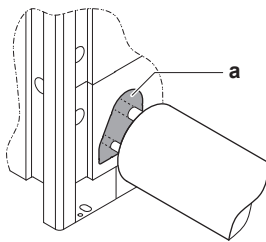
17.2.6 To protect against contamination

Protect the piping as described in the following table to prevent dirt, liquid or dust from entering the piping.

Unit	Installation period	Protection method
Outdoor unit	>1 month	Pinch the pipe
	<1 month	Pinch or tape the pipe
Indoor unit	Regardless of the period	

Seal the piping and wiring intake holes using sealing material (field supply), otherwise the capacity of the unit will drop and small animals may enter the machine.

Example: passing piping out through the front.



a Seal up the opening (area marked in grey).

- Only use clean pipes.
- Hold the pipe end downwards when removing burrs.
- Cover the pipe end when inserting it through a wall, to prevent dust and/or particles entering the pipe.

17.2.7 To remove the pinched pipes



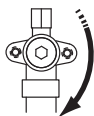
WARNING

Any gas or oil remaining inside the stop valve may blow off the pinched piping.

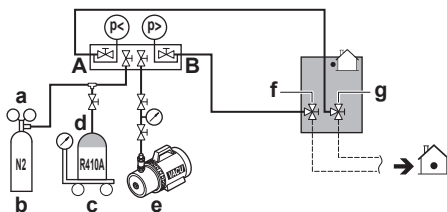
Failure to observe the instructions in procedure below properly may result in property damage or personal injury, which may be serious depending on the circumstances.

Use the following procedure to remove the pinched piping:

- 1 Make sure that the stop valves are fully closed.



- 2 Connect the vacuuming/recovery unit through a manifold to the service port of all stop valves.



- a** Pressure reducing valve
- b** Nitrogen
- c** Weighing scales
- d** Refrigerant R410A tank (siphon system)
- e** Vacuum pump
- f** Liquid line stop valve
- g** Gas line stop valve
- A** Valve A
- B** Valve B

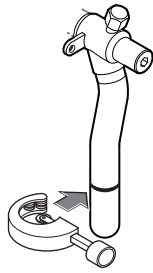
- 3 Recover gas and oil from the pinched piping by using a recovery unit.





CAUTION

Do NOT vent gases into the atmosphere.

- 4 When all gas and oil is recovered from the pinched piping, disconnect the charge hose and close the service ports.
- 5 Cut off the lower part of the gas, liquid and equalising stop valve pipes along the black line. Use an appropriate tool (e.g. a pipe cutter).



WARNING





NEVER remove the pinched piping by brazing.
Any gas or oil remaining inside the stop valve may blow off the pinched piping.

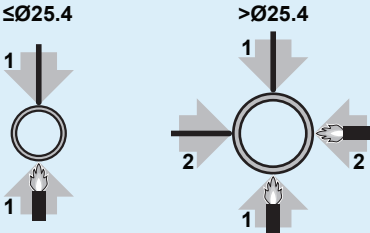
- 6 Wait until all oil has dripped out before continuing with the connection of the field piping in case the recovery was not complete.

17.2.8 To braze the pipe end

NOTICE

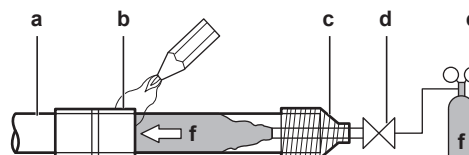


Precautions when connecting field piping. Add brazing material as shown in the figure.



The diagram shows two scenarios for brazing material application. For pipe diameters $\leq \text{Ø}25.4$, a single arrow labeled '1' points to the top of the pipe, and another arrow labeled '1' points to the bottom of the pipe, with a flame icon below. For pipe diameters $> \text{Ø}25.4$, a single arrow labeled '1' points to the top, and two arrows labeled '2' point to the left and right sides of the pipe, with a flame icon below.

- When brazing, blow through with nitrogen to prevent creation of large quantities of oxidised film on the inside of the piping. This film adversely affects valves and compressors in the refrigerating system and prevents proper operation.
- Set the nitrogen pressure to 20 kPa (0.2 bar) (just enough so it can be felt on the skin) with a pressure-reducing valve.



- a Refrigerant piping
- b Part to be brazed
- c Taping
- d Manual valve
- e Pressure-reducing valve
- f Nitrogen

- Do NOT use anti-oxidants when brazing pipe joints. Residue can clog pipes and break equipment.

- Do NOT use flux when brazing copper-to-copper refrigerant piping. Use phosphor copper brazing filler alloy (BCuP), which does NOT require flux.
Flux has an extremely harmful influence on refrigerant piping systems. For instance, if chlorine based flux is used, it will cause pipe corrosion or, in particular, if the flux contains fluorine, it will deteriorate the refrigerant oil.
- ALWAYS protect the surrounding surfaces (e.g. insulation foam) from heat when brazing.

17.2.9 To connect the refrigerant piping to the outdoor unit

i **INFORMATION**
All local inter unit piping are field supplied except the accessory pipes.

! **NOTICE**
Precautions when connecting field piping. Add brazing material as shown in the figure.

! **NOTICE**

- Be sure to use the supplied accessory pipes when carrying out piping work in the field.
- Be sure that the field installed piping does not touch other pipes, the bottom panel or side panel. Especially for the bottom and side connection, be sure to protect the piping with suitable insulation, to prevent it from coming into contact with the casing.

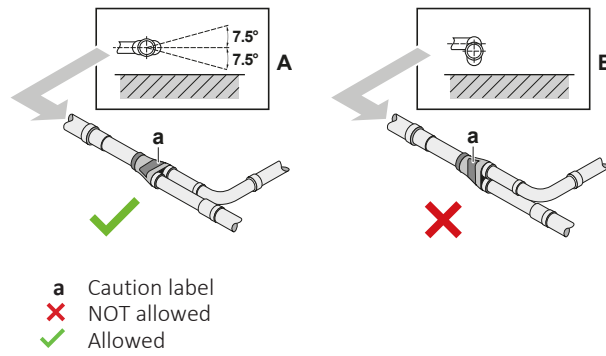
Connect the stop valves to the field piping using the accessory pipes supplied with the unit.

The connections to the branch kits are the responsibility of the installer (field piping).

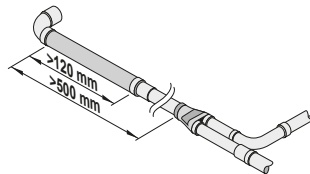
17.2.10 To connect the multi connection piping kit

! **NOTICE**
Improper installation may lead to malfunction of the outdoor unit.

- Install the joints horizontally, so that the caution label (a) attached to the joint comes to the top.
 - Do not tilt the joint more than 7.5° (see view A).
 - Do not install the joint vertically (see view B).



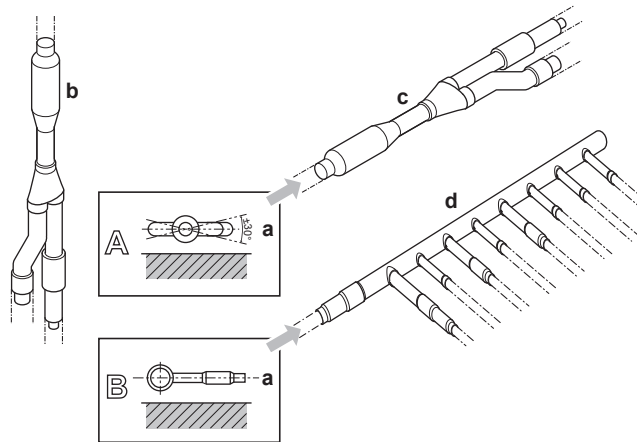
- Make sure that the total length of the piping connected to the joint is absolute straight for more than 500 mm. Only if a straight field piping of more than 120 mm is connected, more than 500 mm of straight section can be ensured.



17.2.11 To connect the refrigerant branching kit

For installation of the refrigerant branching kit, refer to the installation manual delivered with the kit.

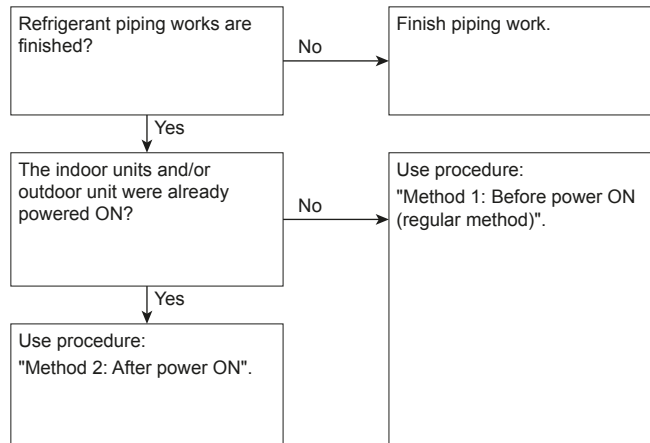
- Mount the refnet joint so that it branches either horizontally or vertically.
- Mount the refnet header so that it branches horizontally.



- a** Horizontal surface
- b** Refnet joint mounted vertically
- c** Refnet joint mounted horizontally
- d** Header

17.3 Checking the refrigerant piping

17.3.1 About checking the refrigerant piping



It is very important that all refrigerant piping work is done before the units (outdoor or indoor) are powered on. When the units are powered on, the expansion valves will initialise. This means that the valves will close.



NOTICE

Leak test and vacuum drying of field piping and indoor units is impossible when field expansion valves are closed.

Method 1: Before power ON

If the system has not yet been powered on, no special action is required to perform the leak test and the vacuum drying.

Method 2: After power ON

If the system has already been powered on, activate setting [2-21] (refer to "20.1.4 To access mode 1 or 2" [▶ 111]). This setting will open field expansion valves to guarantee a refrigerant piping pathway and make it possible to perform the leak test and the vacuum drying.



DANGER: RISK OF ELECTROCUTION



NOTICE

Make sure that all indoor units connected to the outdoor unit are powered on.



NOTICE

Wait to apply setting [2-21] until the outdoor unit has finished the initialisation.

Leak test and vacuum drying

Checking the refrigerant piping involves:

- Checking for any leakages in the refrigerant piping.
- Performing vacuum drying to remove all moisture, air or nitrogen in the refrigerant piping.

If there is a possibility of moisture being present in the refrigerant piping (for example, water may have entered the piping), first carry out the vacuum drying procedure below until all moisture has been removed.

All piping inside the unit has been factory tested for leaks.

Only field installed refrigerant piping needs to be checked. Therefore, make sure that all the outdoor unit stop valves are firmly closed before performing leak test or vacuum drying.

NOTICE
 Make sure that all (field supplied) field piping valves are OPEN (not outdoor unit stop valves!) before you start leak test and vacuuming.

For more information on the state of the valves, refer to "17.3.3 Checking refrigerant piping: Setup" [▶ 85].

17.3.2 Checking refrigerant piping: General guidelines

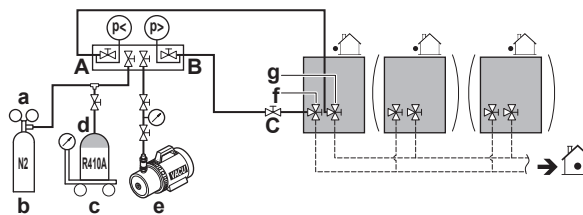
Connect the vacuum pump through a manifold to the service port of all stop valves to increase efficiency (refer to "17.3.3 Checking refrigerant piping: Setup" [▶ 85]).

NOTICE
 Use a 2-stage vacuum pump with a non-return valve or a solenoid valve that can evacuate to a gauge pressure of -100.7 kPa (-1.007 bar).

NOTICE
 Make sure the pump oil does not flow oppositely into the system while the pump is not working.

NOTICE
 Do NOT purge the air with refrigerants. Use a vacuum pump to evacuate the installation.

17.3.3 Checking refrigerant piping: Setup



- a Pressure reducing valve
- b Nitrogen
- c Weighing scales
- d Refrigerant R410A tank (siphon system)
- e Vacuum pump
- f Liquid line stop valve
- g Gas line stop valve
- A Valve A
- B Valve B
- C Valve C

Valve	Status
Valve A	Open
Valve B	Open

Valve	Status
Valve C	Open
Liquid line stop valve	Close
Gas line stop valve	Close

**NOTICE**

The connections to the indoor units and all indoor units should also be leak and vacuum tested. Keep any possible (field supplied) field piping valves open as well.

Refer to the indoor unit installation manual for more details. Leak test and vacuum drying should be done before the power supply is set to the unit. If not, see also the flow chart earlier described in this chapter (see "[17.3.1 About checking the refrigerant piping](#)" ▶ 84).

17.3.4 To perform a leak test

The leak test must satisfy the specifications of EN378-2.

Vacuum leak test

- 1 Evacuate the system from the liquid and gas piping to a gauge pressure of -100.7 kPa (-1.007 bar) for more than 2 hours.
- 2 Once reached, turn off the vacuum pump and check that the pressure does not rise for at least 1 minute.
- 3 Should the pressure rise, the system may either contain moisture (see vacuum drying below) or have leaks.

Pressure leak test

- 1 Break the vacuum by pressurising with nitrogen gas to a minimum gauge pressure of 0.2 MPa (2 bar). Never set the gauge pressure higher than the maximum operation pressure of the unit, i.e. 4.0 MPa (40 bar).
- 2 Test for leaks by applying a bubble test solution to all piping connections.
- 3 Discharge all nitrogen gas.

**NOTICE**

ALWAYS use a recommended bubble test solution from your wholesaler.

NEVER use soap water:

- Soap water may cause cracking of components, such as flare nuts or stop valve caps.
- Soap water may contain salt, which absorbs moisture that will freeze when the piping gets cold.
- Soap water contains ammonia which may lead to corrosion of flared joints (between the brass flare nut and the copper flare).

17.3.5 To perform vacuum drying

**NOTICE**

The connections to the indoor units and all indoor units should also be leak and vacuum tested. Keep, if existing, all (field supplied) field valves to the indoor units open as well.

Leak test and vacuum drying should be done before the power supply is set to the unit. If not, see "[17.3.1 About checking the refrigerant piping](#)" [▶ 84] for more information.

To remove all moisture from the system, proceed as follows:

- 1 Evacuate the system for at least 2 hours to a target vacuum of -100.7 kPa (-1.007 bar)(5 Torr absolute).
- 2 Check that, with the vacuum pump turned off, the target vacuum is maintained for at least 1 hour.
- 3 Should you fail to reach the target vacuum within 2 hours or maintain the vacuum for 1 hour, the system may contain too much moisture. In that case, break the vacuum by pressurising with nitrogen gas to a gauge pressure of 0.05 MPa (0.5 bar) and repeat steps 1 to 3 until all moisture has been removed.
- 4 Depending on whether you want to immediately charge refrigerant through the refrigerant charge port or first pre-charge a portion of refrigerant through the liquid line, either open the outdoor unit stop valves, or keep them closed. See "[18.2 About charging refrigerant](#)" [▶ 90] for more information.

**INFORMATION**

After opening the stop valve, it is possible that the pressure in the refrigerant piping does NOT increase. This might be caused by e.g. the closed state of the expansion valve in the outdoor unit circuit, but does NOT present any problem for correct operation of the unit.

17.3.6 To insulate the refrigerant piping

After finishing the leak test and vacuum drying, the piping must be insulated. Take into account the following points:

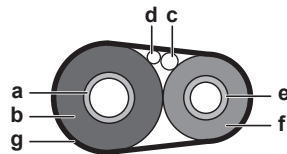
- Make sure to insulate the connection piping and refrigerant branch kits entirely.
- Be sure to insulate the liquid and gas piping (for all units).
- Use heat resistant polyethylene foam which can withstand a temperature of 70°C for liquid piping and polyethylene foam which can withstand a temperature of 120°C for gas piping.
- Reinforce the insulation on the refrigerant piping according to the installation environment.

Ambient temperature	Humidity	Minimum thickness
$\leq 30^{\circ}\text{C}$	75% to 80% RH	15 mm
$> 30^{\circ}\text{C}$	$\geq 80\%$ RH	20 mm

Between outdoor and indoor unit**NOTICE**

It is recommended that the refrigerant piping between indoor and outdoor unit is installed in a ducting or the refrigerant piping is wrapped with finishing tape.

- 1 Insulate and fix the refrigerant piping and cables as follows:



- a Gas pipe
- b Gas pipe insulation
- c Interconnection cable
- d Field wiring (if applicable)
- e Liquid pipe
- f Liquid pipe insulation
- g Finishing tape

- 2 Install the service cover.

Inside the outdoor unit

To insulate the refrigerant piping, proceed as follows:

- 1 Insulate the liquid and gas piping.
- 2 Wind heat insulation around the curves, and then cover it with vinyl tape.
- 3 Make sure the field piping does not touch any compressor components.
- 4 Seal the insulation ends (sealant etc.).
- 5 Wrap the field piping with vinyl tape to protect it against sharp edges
- 6 If the outdoor unit is installed above the indoor unit, cover the stop valves with sealing material to prevent condensed water on the stop valves from moving to the indoor unit.



NOTICE

Any exposed piping can cause condensation.

- 7 Reattach the service cover and the piping intake plate.
- 8 Seal all gaps to prevent snow and small animals from entering the system.



WARNING

Provide adequate measures to prevent that the unit can be used as a shelter by small animals. Small animals that make contact with electrical parts can cause malfunctions, smoke or fire.

18 Charging refrigerant

18.1 Precautions when charging refrigerant



WARNING

- ONLY use R410A as refrigerant. Other substances may cause explosions and accidents.
- R410A contains fluorinated greenhouse gases. Its global warming potential (GWP) value is 2087.5. Do NOT vent these gases into the atmosphere.
- When charging refrigerant, ALWAYS use protective gloves and safety glasses.



NOTICE

If the power of some units is turned off, the charging procedure cannot be finished properly.



NOTICE

In case of a multiple outdoor system, turn on the power of all outdoor units.



NOTICE

Turn ON the power 6 hours before operation in order to have power running to the crankcase heater and to protect the compressor.



NOTICE

If operation is performed within 12 minutes after the indoor and outdoor units are powered on, the compressor will not operate before the communication is established in a correct way between outdoor unit(s) and indoor units.



NOTICE

Before starting charging procedures, check if the 7-segment display indication of the outdoor unit A1P PCB is as normal (see "20.1.4 To access mode 1 or 2" [▶ 111]). If a malfunction code is present, see "24.1 Solving problems based on error codes" [▶ 135].



NOTICE

Make sure all connected indoor units are recognised (see [1-10] in "20.1.7 Mode 1: monitoring settings" [▶ 114]).



NOTICE

Close the front panel before any refrigerant charge operation is executed. Without the front panel attached the unit cannot judge correctly whether it is operating properly or not.



NOTICE

In case of maintenance and the system (outdoor unit+field piping+indoor units) does not contain any refrigerant any more (e.g., after refrigerant reclaim operation), the unit has to be charged with its original amount of refrigerant (refer to the nameplate on the unit) by pre-charging before the automatic charging function can be started.

18.2 About charging refrigerant

Once vacuum drying is finished, additional refrigerant charging can start.

To speed up the refrigerant charging process, it is in case of larger systems recommended to first pre-charge a portion of refrigerant through the liquid line before proceeding with the manual charging. This step is included in below procedure (see "18.5 To charge refrigerant" [▶ 93]). It can be skipped, but charging will take longer then.

A flow chart is available which gives an overview of the possibilities and actions to be taken (see "18.4 To charge refrigerant: Flow chart" [▶ 92]).

18.3 To determine the additional refrigerant amount



INFORMATION

For final charge adjustment in the test laboratory, please contact your local dealer.



NOTICE

The refrigerant charge of the system must be less than 100 kg. This means that in case the calculated total refrigerant charge is equal to or more than 95 kg you must divide your multiple outdoor system into smaller independent systems, each containing less than 95 kg refrigerant charge. For factory charge, refer to the unit name plate.

Formula:

$$R = [(X_1 \times \phi 22.2) \times 0.37 + (X_2 \times \phi 19.1) \times 0.26 + (X_3 \times \phi 15.9) \times 0.18 + (X_4 \times \phi 12.7) \times 0.12 + (X_5 \times \phi 9.5) \times 0.059 + (X_6 \times \phi 6.4) \times 0.022] + A$$

- R Additional refrigerant to be charged [in kg and rounded off to 1 decimal place]
- X_{1...6} Total length [m] of liquid piping size at ϕa
- A Parameter A (see below)

Parameter A:

Piping length ^(a)	CR ^(b)	A ^(c)		
		8 HP	10+12 HP	14+16 HP
≤30 m	50% ≤ CR ≤ 105%	0 kg		1 kg
	105% < CR ≤ 130%	0.5 kg		1.5 kg
>30 m	50% ≤ CR ≤ 70%	0 kg		1 kg
	70% < CR ≤ 85%	0.3 kg	0.5 kg	1.5 kg
	85% < CR ≤ 105%	0.7 kg	1 kg	2 kg
	105% < CR ≤ 130%	1.2 kg	1.5 kg	

- ^(a) Piping length is considered the distance from the outdoor unit to the farthest indoor unit.
- ^(b) Total CR = Total indoor unit capacity connection ratio
- ^(c) In case of a multi-outdoor-unit system, add the sum of the individual outdoor unit charge factors.

Metric piping. When using metric piping, replace the weight factors in the formula by the ones from the following table:

Inch piping		Metric piping	
Piping	Weight factor	Piping	Weight factor
∅6.4 mm	0.022	∅6 mm	0.018

Inch piping		Metric piping	
Piping	Weight factor	Piping	Weight factor
∅9.5 mm	0.059	∅10 mm	0.065
∅12.7 mm	0.12	∅12 mm	0.097
∅15.9 mm	0.18	∅15 mm	0.16
		∅16 mm	0.18
∅19.1 mm	0.26	∅18 mm	0.24
∅22.2 mm	0.37	∅22 mm	0.35

Connection ratio requirements. When selecting indoor units, the connection ratio must comply with the following requirements. For more information, see the technical engineering data.

Indoor units	Total CR ^(a)	CR per type ^(b)	
		VRV DX	AHU
VRV DX	50~130%	50~130%	—
VRV DX + AHU (EKEQ + EKEXV) or (EKEACBVE + EKEXVA)	50~110%	50~110%	0~60%
AHU only (EKEQ + EKEXV) Pair + multi	90~110% ^(c)	—	90~110% ^(c)
AHU only (EKEACBVE + EKEXVA) Pair + multi	75 ^(d) ~110% ^(c)	—	75 ^(d) ~110% ^(c)

^(a) Total CR = Total indoor unit capacity connection ratio

^(b) CR per type = Allowable capacity connection ratio per indoor unit type

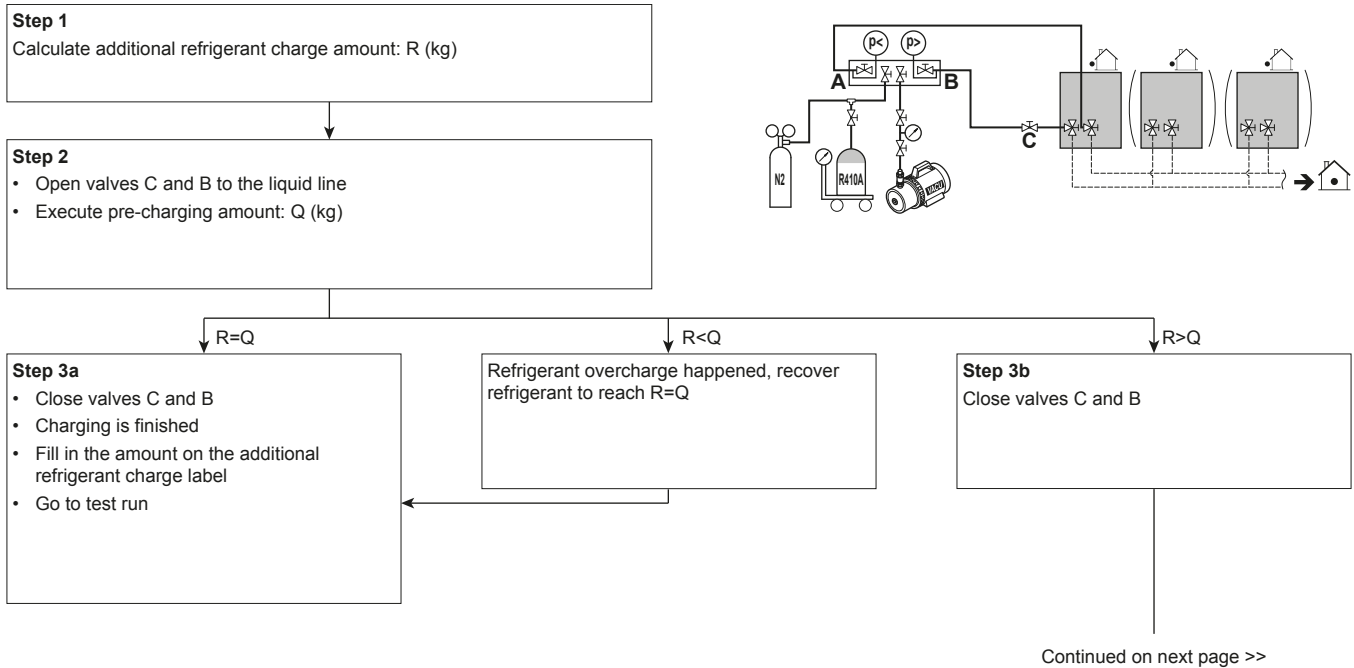
^(c) Restrictions regarding the air handling unit capacity.

^(d) Additional restrictions might apply for connection ratio lower than 75% (65~110%). Please refer to the EKEA+EKEXVA manual.

18.4 To charge refrigerant: Flow chart

For more information, see "18.5 To charge refrigerant" [▶ 93].

Pre-charging refrigerant



Charging refrigerant

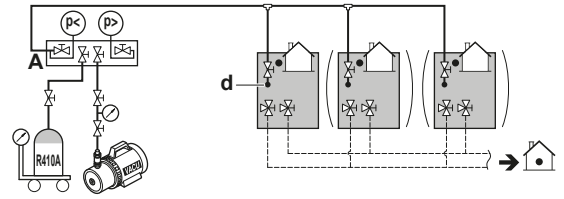
<< Continuation of previous page

R>Q

- Step 4**
 - Connect valve A to the refrigerant charge port (d)
 - Open all outdoor unit stop valves
- Step 5**

Proceed with manual charge
- Step 6**

Activate field setting [2-20]=1
Unit will start manual refrigerant charging operation.
- Step 7**
 - Open valve A
 - Charge remaining amount of refrigerant P (kg)
 $R=Q+P$
- Step 8**
 - Close valve A
 - Push BS3 to stop manual charging
 - Charging is finished
 - Fill in the amount on the additional refrigerant charge label
 - Go to test run



18.5 To charge refrigerant

Follow the steps as described below.

Pre-charging refrigerant

- 1 Calculate the additional amount of refrigerant to be added using the formula mentioned in "18.3 To determine the additional refrigerant amount" [▶ 90].
- 2 The first 10 kg of additional refrigerant can be pre-charged without outdoor unit operation.

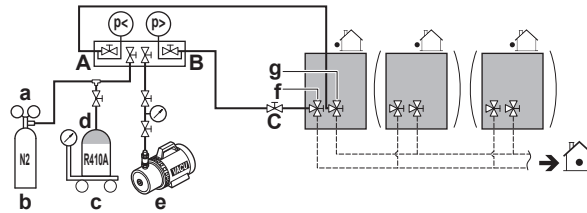
If	Then
The additional refrigerant amount is smaller than 10 kg	Perform steps 2+3.
The additional refrigerant charge is larger than 10 kg	Perform steps 2~8.

- 3 Pre-charging can be done without compressor operation, by connecting the refrigerant bottle to the service ports of the liquid and equalising stop valves (open valve B). Make sure that valve A and all outdoor unit stop valves are closed.



NOTICE

During pre-charging, the refrigerant is charged through the liquid line. Close valve A and disconnect the manifold from the gas line.



- a Pressure reducing valve
- b Nitrogen
- c Weighing scales
- d Refrigerant R410A tank (siphon system)
- e Vacuum pump
- f Liquid line stop valve
- g Gas line stop valve
- A Valve A
- B Valve B
- C Valve C

4 Do one of the following:

	If	Then
4a	The calculated additional refrigerant amount is reached by above pre-charging procedure	Close valves C and B and disconnect the manifold connection to the liquid line.
4b	The total amount of refrigerant could not be charged by pre-charging	Close valves C and B, disconnect the manifold connection to the liquid line, and perform steps 4~8.



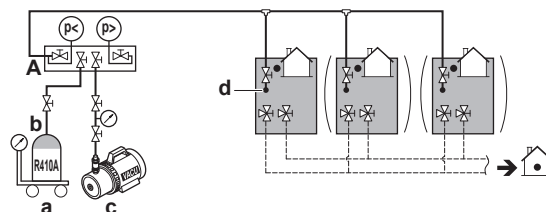
INFORMATION

If the total additional refrigerant amount was reached in step 3 (by pre-charging only), record the amount of refrigerant that was added on the additional refrigerant charge label provided with the unit and attach it on the back side of the front panel.

Perform the test procedure as described in "21 Commissioning" [▶ 126].

Charging refrigerant

5 After pre-charging, connect valve A to the refrigerant charge port and charge the remaining additional refrigerant through this port. Open all outdoor unit stop valves. At this point, valve A must remain closed!



- a Weighing scales
- b Refrigerant R410A tank (siphon system)
- c Vacuum pump
- d Refrigerant charge port
- A Valve A

**INFORMATION**

For a multi outdoor unit system, it is not required to connect all charge ports to a refrigerant tank.

The refrigerant will be charged with ± 22 kg in 1 hour time at an outdoor temperature of 30°C DB or with ± 6 kg at an outdoor temperature of 0°C DB.

If you need to speed up in case of a multiple outdoor system, connect the refrigerant tanks to each outdoor unit.

**NOTICE**

- The refrigerant charging port is connected to the piping inside the unit. The unit's internal piping is already factory charged with refrigerant, so be careful when connecting the charge hose.
- After adding the refrigerant, do not forget to close the lid of the refrigerant charging port. The tightening torque for the lid is 11.5 to 13.9 N•m.
- In order to ensure uniform refrigerant distribution, it may take the compressor ± 10 minutes to start up after the unit has started operation. This is not a malfunction.

6 Proceed with the manual charge.**INFORMATION**

After charging refrigerant:

- Record the additional refrigerant amount on the refrigerant label provided with the unit and attach it to the backside of the front panel.
- Perform the test procedure described in "[21 Commissioning](#)" [▶ 126].

18.6 Step 6: To manually charge refrigerant

The remaining additional refrigerant charge can be charged by operating the outdoor unit by means of the manual refrigerant charge operation mode:

- 1 Take all the precautions mentioned in "[20 Configuration](#)" [▶ 109] and "[21 Commissioning](#)" [▶ 126] into account.
- 2 Turn on the power of the indoor units and outdoor unit.
- 3 Activate outdoor unit setting [2-20]=1 to start manual refrigerant charge mode. Refer to "[20.1.8 Mode 2: field settings](#)" [▶ 116] for details.

Result: The unit will start operation.

- 4 Valve A can be opened. Charging of remaining additional refrigerant can be done.
- 5 When the remaining calculated additional refrigerant amount is added, close valve A and push BS3 to stop the manual refrigerant charging procedure.

**INFORMATION**

The manual refrigerant charge operation will automatically stop within 30 minutes. If charging is not completed after 30 minutes, perform the additional refrigerant charging operation again.

- 6 Perform the test procedure as described in "[21 Commissioning](#)" [▶ 126].

**INFORMATION**

- When a malfunction is detected during the procedure (e.g., in case of closed stop valve), a malfunction code will be displayed. In that case, refer to "[18.7 Error codes when charging refrigerant](#)" [▶ 96] and solve the malfunction accordingly. Resetting the malfunction can be done by pushing BS3. The procedure can be restarted from "[18.6 Step 6: To manually charge refrigerant](#)" [▶ 95].
- Aborting the manual refrigerant charge is possible by pushing BS3. The unit will stop and return to idle condition.

18.7 Error codes when charging refrigerant

Code	Cause	Solution
P2	Unusual low pressure on suction line	Close valve A immediately. Push BS3 to reset. Check following items before retrying autocharge procedure: <ul style="list-style-type: none"> ▪ Check if the gas side stop valve is opened correctly. ▪ Check if the valve of the refrigerant cylinder is opened. ▪ Check if the air inlet and outlet of the indoor unit are not obstructed.
P8	Freeze-up prevention indoor unit	Close valve A immediately. Push BS3 to reset. Retry autocharge procedure.
E-2	Indoor unit is out of temperature range for leak detection operation	Retry when ambient conditions are satisfied.
E-3	Outdoor unit is out of temperature range for leak detection operation	Retry when ambient conditions are satisfied.
E-5	Indicates an indoor unit which is not compatible with leak detection functionality is installed (e.g., RA DX indoor unit, Hydrobox, ...)	Refer to requirements to be able to execute leak detection operation.
Other malfunction code	—	Close valve A immediately. Confirm the malfunction code and take corresponding action, " 24.1 Solving problems based on error codes " [▶ 135].

18.8 Checks after charging refrigerant

- Are all stop valves open?

- Is the amount of refrigerant, that has been added, recorded on the refrigerant charge label?

**NOTICE**

Make sure to open all stop valves after (pre-) charging the refrigerant.
Operating with the stop valves closed will damage the compressor.

19 Electrical installation



NOTICE

This is a class A product. In a domestic environment this product may cause radio interference in which case the user may be required to take adequate measures.

In this chapter

19.1	About connecting the electrical wiring	98
19.1.1	Precautions when connecting the electrical wiring	98
19.1.2	Field wiring: Overview	100
19.1.3	About the electrical wiring	100
19.1.4	Guidelines for making knockout holes	102
19.1.5	Safety device requirements	102
19.2	To route and fix the interconnection wiring	103
19.3	To connect the interconnection wiring	104
19.4	To finish the interconnection wiring	105
19.5	To route and fix the power supply	106
19.6	To connect the power supply	106
19.7	To check the insulation resistance of the compressor	108

19.1 About connecting the electrical wiring

19.1.1 Precautions when connecting the electrical wiring



DANGER: RISK OF ELECTROCUTION



WARNING

- All wiring **MUST** be performed by an authorised electrician and **MUST** comply with the national wiring regulation.
- Make electrical connections to the fixed wiring.
- All components procured on-site and all electrical construction **MUST** comply with the applicable legislation.



WARNING

ALWAYS use multicore cable for power supply cables.



INFORMATION

Also read the precautions and requirements in the "[2 General safety precautions](#)" [▶ 8].

**WARNING**

- If the power supply has a missing or wrong N-phase, equipment might break down.
- Establish proper earthing. Do NOT earth the unit to a utility pipe, surge absorber, or telephone earth. Incomplete earthing may cause electrical shocks.
- Install the required fuses or circuit breakers.
- Secure the electrical wiring with cable ties so that the cables do NOT come in contact with sharp edges or piping, particularly on the high-pressure side.
- Do NOT use taped wires, extension cords, or connections from a star system. They can cause overheating, electrical shocks or fire.
- Do NOT install a phase advancing capacitor, because this unit is equipped with an inverter. A phase advancing capacitor will reduce performance and may cause accidents.

**CAUTION**

Do NOT push or place redundant cable length into the unit.

**NOTICE**

The distance between the high voltage and low voltage cables should be at least 50 mm.

**NOTICE**

Do NOT operate the unit until the refrigerant piping is complete. Running the unit before the piping is ready will break the compressor.

**NOTICE**

If the power supply has a missing or wrong N-phase, equipment will break down.

**NOTICE**

Do NOT install a phase advancing capacitor, because this unit is equipped with an inverter. A phase advancing capacitor will reduce performance and may cause accidents.

**NOTICE**

NEVER remove a thermistor, sensor, etc., when connecting power wiring and transmission wiring. (If operated without thermistor, sensor, etc., the compressor may break down.)

**NOTICE**

- The reversed phase protection detector of this product only functions when the product starts up. Consequently reversed phase detection is not performed during normal operation of the product.
- The reversed phase protection detector is designed to stop the product in the event of an abnormality when the product is started up.
- Replace 2 of the 3 phases (L1, L2, and L3) during reverse-phase protection abnormality.



NOTICE

ONLY applicable if the power supply is three-phase, and the compressor has an ON/OFF starting method.

If there exists the possibility of reversed phase after a momentary black out and the power goes ON and OFF while the product is operating, attach a reversed phase protection circuit locally. Running the product in reversed phase can break the compressor and other parts.

19.1.2 Field wiring: Overview

Field wiring consists of:

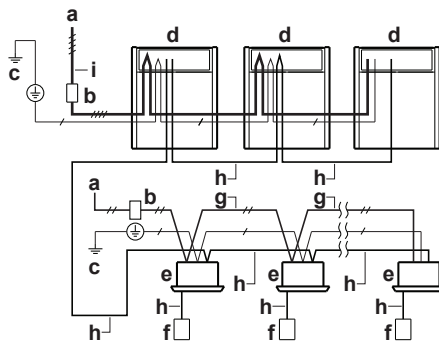
- power supply (including earth),
- Interconnection wiring between communication box and outdoor unit,
- RS-485 interconnection wiring between communication box and monitoring system.

Example:



INFORMATION

The following figure is an example and may NOT completely match your system layout.



- a** Field power supply (with earth leakage protector)
 - b** Main switch
 - c** Earth connection
 - d** Outdoor unit
 - e** Indoor unit
 - f** User interface
 - g** Indoor power supply wiring (sheathed cable) (230 V)
 - h** Interconnection wiring (sheathed cable) (16 V)
 - i** Outdoor power supply wiring (sheathed cable)
- Power supply 3N~ 50/60 Hz
 Power supply 1~ 50/60 Hz
 Earth wiring

19.1.3 About the electrical wiring

It is important to keep the power supply and the interconnection wiring separated from each other. In order to avoid any electrical interference the distance between both wiring should always be at least 25 mm.

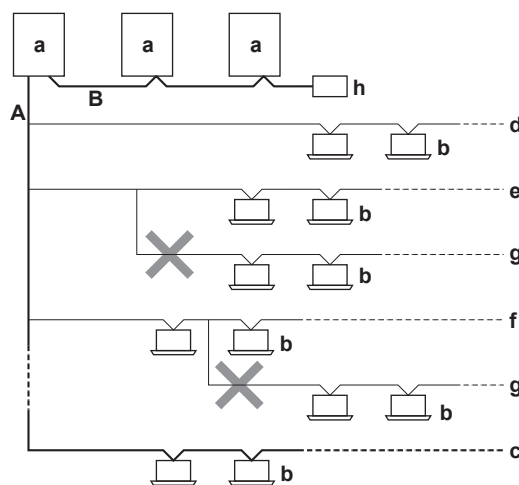
**NOTICE**

- Be sure to keep the power line and transmission line apart from each other. Transmission wiring and power supply wiring may cross, but may not run parallel.
- Transmission wiring and power supply wiring may not touch internal piping (except the inverter PCB cooling pipe) in order to avoid wire damage due to high temperature piping.
- Firmly close the lid and arrange the electrical wires so as to prevent the lid or other parts from coming loose.

The interconnection wiring outside the unit should be wrapped and routed together with the field piping.

Field piping can be routed from front or bottom of the unit (going left or right). Refer to "17.2.5 To route the refrigerant piping" [▶ 79].

- Be sure to follow the limits below. If the unit-to-unit cables are beyond these limits, it may result in malfunction of transmission:
 - Maximum wiring length: 1000 m.
 - Total wiring length: 2000 m.
 - Maximum inter unit wiring length between outdoor units: 30 m.
 - Interconnection wiring to cool/heat selector: 500 m.
 - Maximum number of branches: 16.
- Maximum number of independent interconnectable systems: 10.
- Up to 16 branches are possible for unit-to-unit cabling. No branching is allowed after branching (see figure below).



- a** Outdoor unit
- b** Indoor unit
- c** Main line
- d** Branch line 1
- e** Branch line 2
- f** Branch line 3
- g** No branch is allowed after branch
- h** Central user interface (etc...)
- A** Outdoor/indoor interconnection wiring
- B** Master/slave interconnection wiring

For the above wiring, always use vinyl cords with 0.75 to 1.25 mm² sheath or cables (2-core wires). (3-core wire cables are allowable for the cooler/heater changeover user interface only.)

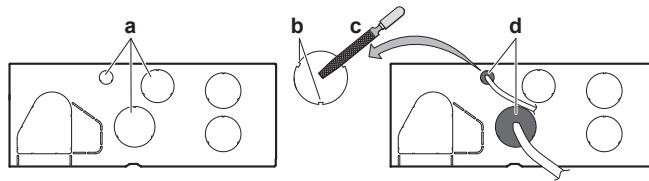
19.1.4 Guidelines for making knockout holes

Punch out the knockout by tapping on the attachment points with a flat head screwdriver and a hammer.

NOTICE

Precautions when making knockout holes:

- Avoid damaging the casing and underlying piping.
- After making the knockout holes, we recommend to remove the burrs and paint the edges and areas around the edges using repair paint to prevent rusting.
- When passing electrical wiring through the knockout holes, wrap the wiring with protective tape to prevent damage.



- a** Knockout hole
- b** Burr
- c** Remove burrs
- d** If there are any possibilities that small animals enter the system through the knockout holes, close the holes with packing materials (to be prepared on-site)

19.1.5 Safety device requirements

The power supply must be protected with the required safety devices, i.e. a main switch, a slow blow fuse on each phase and an earth leakage protector in accordance with the applicable legislation.

Selection and sizing of the wiring should be done in accordance with the applicable legislation based on the information mentioned in the table below.

Model	Minimum circuit ampacity	Recommended fuses
RXYTQ8	16.1 A	20 A
RXYTQ10	22.0 A	25 A
RXYTQ12	24.0 A	32 A
RXYTQ14	27.0 A	32 A
RXYTQ16	31.0 A	40 A

What?	Case 1	Case 2
Phase and frequency	3N~ 50 Hz	3N~ 60 Hz
Voltage	380-415 V	400 V
Transmission line section ^(a)	0.75~1.25 mm ²	

(a) Maximum length is 1000 m. If the total transmission wiring exceeds these limits, it may result in communication error.

For multi combinations

Calculate the recommended fuse capacity.

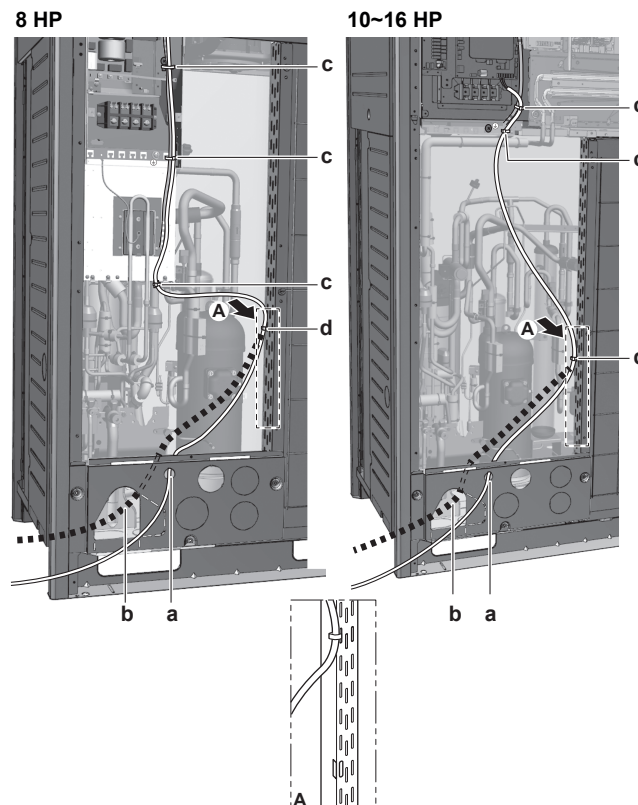
Formula	Calculate, by adding the minimum circuit amps of each used unit (according to the table above), multiply the result by 1.1 and select the next higher recommended fuse capacity.
Example	<p>Combining the RXYTQ30 by using the RXYTQ8, RXYTQ10, and RXYTQ12.</p> <ul style="list-style-type: none"> ▪ Minimum circuit ampacity of the RXYTQ8=16.1 A ▪ Minimum circuit ampacity of the RXYTQ10=22.0 A ▪ Minimum circuit ampacity of the RXYTQ12=24.0 A <p>Accordingly, the minimum circuit ampacity of the RXYTQ30=16.1+22.0+24.0=62.1 A</p> <p>Multiply the above result by 1.1: (62.1 A×1.1)=68.3 A, so the recommended fuse capacity would be 80 A.</p>

**NOTICE**

When using residual current operated circuit breakers, be sure to use a high-speed type 300 mA rated residual operating current.

19.2 To route and fix the interconnection wiring

Interconnection wiring can be routed through the front side only. Fix it to the upper mounting hole.

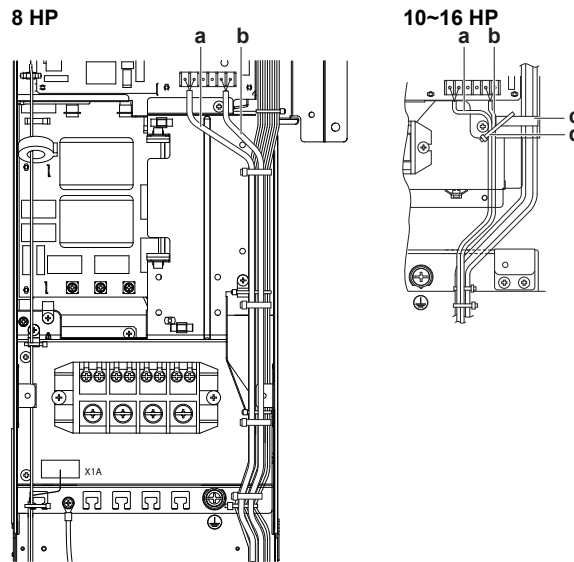


a Interconnection wiring (possibility 1)^(a)

b Interconnection wiring (possibility 2)^(a)

c Tie wrap. Fix to factory-mounted low voltage wiring.

^(a) Knockout hole has to be removed. Close the hole to avoid small animals or dirt from entering.



Fix to the indicated plastic brackets using field supplied clamping material.

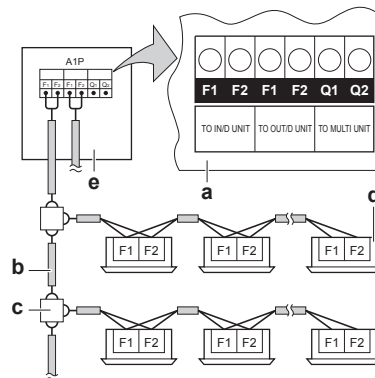
- a Wiring between the units (indoor-outdoor) (F1/F2 left)
- b Internal interconnection wiring (Q1/Q2)
- c Plastic bracket
- d Field supplied clamps

19.3 To connect the interconnection wiring

The wiring from the indoor units must be connected to the F1/F2 (In-Out) terminals on the PCB in the outdoor unit.

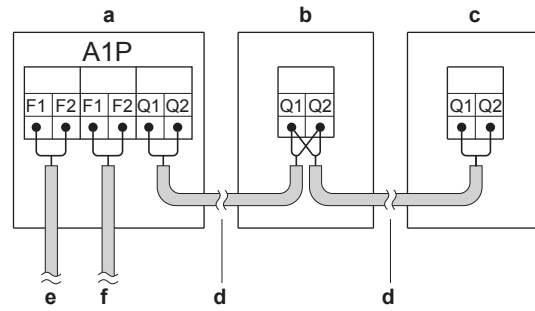
Indoor-outdoor connection requirements	
Voltage	220~240 V
Frequency	50 Hz
Wire size	Only use harmonised wiring providing double insulation and suitable for the applicable voltage
	2 core cable
	0.75 to 1.25 mm ²

In case of single outdoor unit installation



- a Outdoor unit PCB (A1P)
- b Use the conductor of sheathed wire (2 wire) (no polarity)
- c Terminal board (field supply)
- d Indoor unit
- e Outdoor unit

In case of multi outdoor unit installation



- a** Unit A (master outdoor unit)
- b** Unit B (slave outdoor unit)
- c** Unit C (slave outdoor unit)
- d** Master/slave interconnection (Q1/Q2)
- e** Outdoor/indoor interconnection (F1/F2)
- f** Outdoor unit/other system interconnection (F1/F2)



INFORMATION

U-series units cannot share the same refrigerant circuit with T-series units. However, electrically, U-series units and T-series units can be connected via F1/F2.

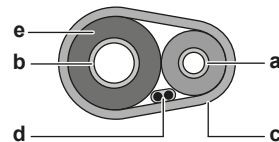
- The interconnecting wiring between the outdoor units in the same piping system must be connected to the Q1/Q2 (Out Multi) terminals. Connecting the wires to the F1/F2 terminals results in system malfunction.
- The wiring for the other systems must be connected to the F1/F2 (Out-Out) terminals of the PCB in the outdoor unit to which the interconnecting wiring for the indoor units is connected.
- The base unit is the outdoor unit to which the interconnecting wiring for the indoor units is connected.

Tightening torque for the interconnection wiring terminal screws:

Screw size	Tightening torque [N•m]
M3.5 (A1P)	0.8~0.96

19.4 To finish the interconnection wiring

After installing the interconnection wiring, wrap it along with the onsite refrigerant piping using finishing tape, as shown in the illustration below.



- a** Liquid piping
- b** Gas piping
- c** Finishing tape
- d** Interconnection cable (F1/F2)
- e** Insulation

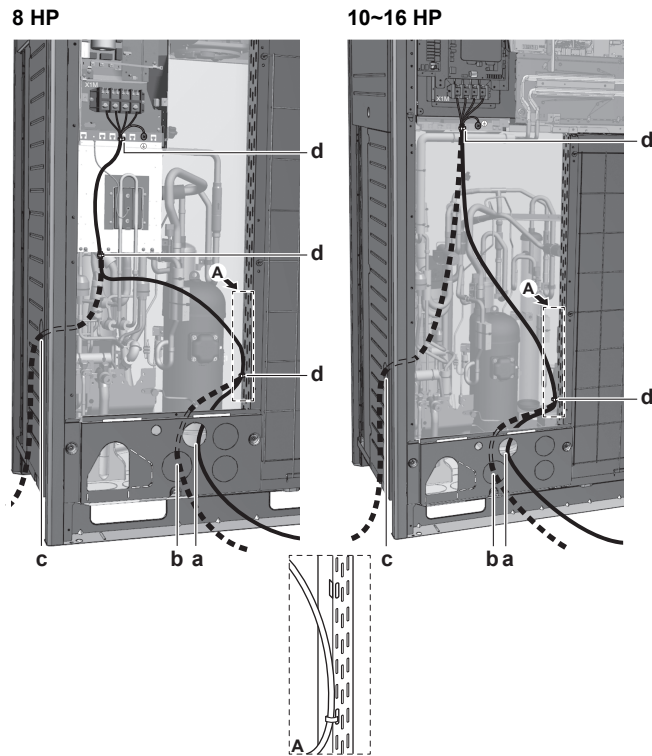
19.5 To route and fix the power supply



NOTICE

When routing earth wires, secure clearance of 25 mm or more away from compressor lead wires. Failure to observe this instruction properly may adversely affect correct operation of other units connected to the same earth.

The power supply wiring can be routed from the front and left side. Fix it to the lower mounting hole.

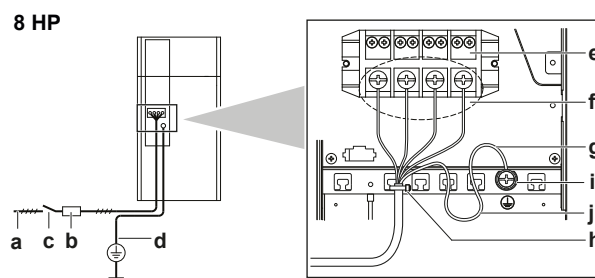


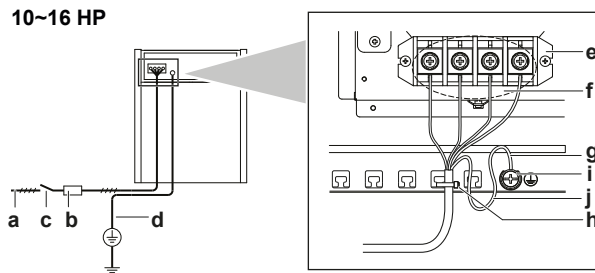
- a Power supply (possibility 1)^(a)
- b Power supply (possibility 2)^(a)
- c Power supply (possibility 3)^(a). Use conduit.
- d Tie wrap

(a) Knockout hole has to be removed. Close the hole to avoid small animals or dirt from entering.

19.6 To connect the power supply

The power supply MUST be clamped to the bracket using field supplied clamp material to prevent external force being applied to the terminal. The green and yellow striped wire MUST be used for earthing only.





- a Power supply (380~415 V, 3N~ 50 Hz)
- b Fuse
- c Earth leakage protector
- d Earth wire
- e Power supply terminal block
- f Connect each power wire: RED to L1, WHT to L2, BLK to L3 and BLU to N
- g Earth wire (GRN/YLW)
- h Tie wrap
- i Cup washer
- j When connecting the earth wire, it is recommended to perform curling.

**NOTICE**

Never connect the power supply to transmission wiring terminal block. Otherwise the entire system may break down.

**INFORMATION**

Installation and routing in case the cool/heat selector is used: refer to the installation manual of the cool/heat selector.

**CAUTION**

- When connecting the power supply: connect the earth cable first, before making the current-carrying connections.
- When disconnecting the power supply: disconnect the current-carrying cables first, before separating the earth connection.
- The length of the conductors between the power supply stress relief and the terminal block itself **MUST** be as such that the current-carrying wires are tautened before the earth wire is in case the power supply is pulled loose from the stress relief.

Tightening torque for the terminal screws:

Screw size	Tightening torque (N•m)
M8 (power terminal block)	5.5~7.3
M8 (ground)	

**NOTICE**

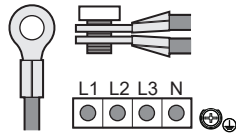
When connecting the earth wire, align the wire with the cut out section of the cup washer. Incomplete earthing may cause electrical shock.

Multiple outdoor units

To connect the power supply for multiple outdoor units to each other, ring tongues have to be used. No bare cable can be used.

In that case, the ring washer that is installed by default should be removed.

Attach both cables to the power supply terminal as indicated below:



19.7 To check the insulation resistance of the compressor



NOTICE

If, after installation, refrigerant accumulates in the compressor, the insulation resistance over the poles can drop, but if it is at least 1 M Ω , then the unit will not break down.

- Use a 500 V mega-tester when measuring insulation.
- Do NOT use a mega-tester for low voltage circuits.

1 Measure the insulation resistance over the poles.

If	Then
$\geq 1 \text{ M}\Omega$	Insulation resistance is OK. This procedure is finished.
$< 1 \text{ M}\Omega$	Insulation resistance is not OK. Go to the next step.

2 Turn ON the power and leave it on for 6 hours.

Result: The compressor will heat up and evaporate any refrigerant in the compressor.

3 Measure the insulation resistance again.

20 Configuration



DANGER: RISK OF ELECTROCUTION



INFORMATION

It is important that all information in this chapter is read sequentially by the installer and that the system is configured as applicable.

In this chapter

20.1	Making field settings.....	109
20.1.1	About making field settings	109
20.1.2	Field setting components	110
20.1.3	To access the field setting components	110
20.1.4	To access mode 1 or 2	111
20.1.5	To use mode 1.....	112
20.1.6	To use mode 2.....	113
20.1.7	Mode 1: monitoring settings	114
20.1.8	Mode 2: field settings	116
20.1.9	To connect the PC configurator to the outdoor unit	120
20.2	Energy saving and optimum operation.....	120
20.2.1	Available main operation methods.....	120
20.2.2	Available comfort settings	122
20.2.3	Example: Automatic mode during cooling	123
20.2.4	Example: Automatic mode during heating.....	124

20.1 Making field settings

20.1.1 About making field settings

Next to making field settings it is also possible to confirm the current operation parameters of the unit.

See also:

- "20.1.2 Field setting components" [▶ 110]
- "20.1.3 To access the field setting components" [▶ 110]

Mode 1 and 2

Mode	Description
Mode 1 (monitoring settings)	Mode 1 can be used to monitor the current situation of the outdoor unit. Some field setting contents can be monitored as well.

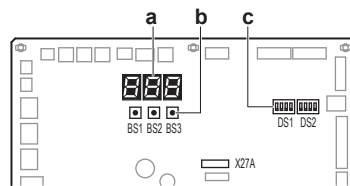
Mode	Description
Mode 2 (field settings)	<p>Mode 2 is used to change the field settings of the system. Consulting the current field setting value and changing the current field setting value is possible.</p> <p>In general, normal operation can be resumed without special intervention after changing field settings.</p> <p>Some field settings are used for special operation (e.g., one time operation, recovery/vacuuming setting, manual adding refrigerant setting, etc.). In such a case, it is required to abort the special operation before normal operation can restart. It will be indicated in below explanations.</p>

See also:

- ["20.1.4 To access mode 1 or 2" \[▶ 111\]](#)
- ["20.1.5 To use mode 1" \[▶ 112\]](#)
- ["20.1.6 To use mode 2" \[▶ 113\]](#)
- ["20.1.7 Mode 1: monitoring settings" \[▶ 114\]](#)
- ["20.1.8 Mode 2: field settings" \[▶ 116\]](#)

20.1.2 Field setting components

Location of the 7-segment displays, buttons and DIP switches:

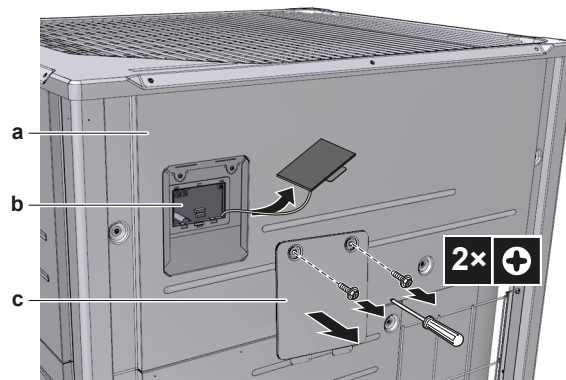


- BS1** MODE: for changing the set mode
- BS2** SET: for field setting
- BS3** RETURN: for field setting
- DS1, DS2** DIP switches
- a** 7-segment displays
- b** Push buttons
- c** DIP switches

20.1.3 To access the field setting components

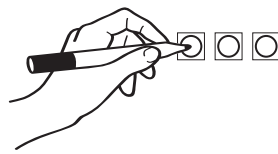
It is not required to open the complete switch box to access the push buttons on the PCB and read out the 7-segment display(s).

To access you can remove the front inspection cover of the front plate (see figure). Now you can open the inspection cover of the switch box front plate (see figure). You can see the three push buttons and the three 7-segment displays and DIP switches.



- a Front plate
- b Main PCB with three 7-segment displays and three push buttons
- c Switch box service cover

Operate the switches and push buttons with an insulated stick (such as a closed ball-point pen) to avoid touching of live parts.



Make sure to re-attach the inspection cover into the switch box cover and to close the front plate's inspection cover after the job is finished. During operation of the unit the front plate of the unit should be attached. Settings are still possible to be made through the inspection opening.



NOTICE

Make sure that all outside panels, except for the service cover on the switch box, are closed while working.

Close the lid of the switch box firmly before turning on the power.

20.1.4 To access mode 1 or 2

Initialisation: default situation



NOTICE

Turn ON the power 6 hours before operation in order to have power running to the crankcase heater and to protect the compressor.

Turn on the power supply of the outdoor unit and all indoor units. When the communication between indoor units and outdoor unit(s) is established and normal, the 7-segment display indication state will be as below (default situation when shipped from factory).




Stage	Display
When turning on the power supply: blinking as indicated. First checks on power supply are executed (8~10 min).	
When no trouble occurs: lighted as indicated (1~2 min).	
Ready for operation: blank display indication as indicated.	

- Off
- Blinking
- On

In case of malfunction, the malfunction code is displayed on the indoor unit user interface and the outdoor unit 7-segment display. Solve the malfunction code accordingly. The communication wiring should be checked at first.

Access

BS1 is used to switch between the default situation, mode 1 and mode 2.

Access	Action
Default situation	
Mode 1	<ul style="list-style-type: none"> Push BS1 one time. 7-segment display indication changes to:  <ul style="list-style-type: none"> Push BS1 one more time to return to the default situation.
Mode 2	<ul style="list-style-type: none"> Push BS1 for at least five seconds. 7-segment display indication changes to:  <ul style="list-style-type: none"> Push BS1 one more time (short) to return to the default situation.



INFORMATION

If you get confused in the middle of the process, push BS1 to return to the default situation (no indication on 7-segment displays: blank, see "20.1.4 To access mode 1 or 2" ▶ 111).

20.1.5 To use mode 1

Mode 1 is used to set basic settings and to monitor the status of the unit.

What	How
Changing and accessing the setting in mode 1	<ol style="list-style-type: none"> 1 Push BS1 one time to select mode 1. 2 Push BS2 to select the required setting. 3 Push BS3 one time to access the selected setting's value.
To quit and return to the initial status	Push BS1.

Example:

Checking the content of parameter [1-10] (to know how many indoor units are connected to the system).

[A-B]=C in this case defined as: A=1; B=10; C=the value we want to know/monitor:

- 1 Make sure the 7-segment display indication is in the default situation (normal operation).
- 2 Push BS1 one time.

Result: Mode 1 is accessed: 

- 3 Push BS2 10 times.

Result: Mode 1 setting 10 is addressed: 

- 4 Push BS3 one time; the value which is returned (depending on the actual field situation), is the amount of indoor units which are connected to the system.

Result: Mode 1 setting 10 is addressed and selected, return value is monitored information

- 5 To quit mode 1, push BS1 one time.

20.1.6 To use mode 2

The master unit should be used to input field settings in mode 2.

Mode 2 is used to set field settings of the outdoor unit and system.


What	How
Changing and accessing the setting in mode 2	<ul style="list-style-type: none"> ▪ Push BS1 for more than five seconds to select mode 2. ▪ Push BS2 to select the required setting. ▪ Push BS3 one time to access the selected setting's value.
To quit and return to the initial status	Push BS1.
Changing the value of the selected setting in mode 2	<ul style="list-style-type: none"> ▪ Push BS1 for more than five seconds to select mode 2. ▪ Push BS2 to select the required setting. ▪ Push BS3 one time to access the selected setting's value. ▪ Push BS2 to select the required value of the selected setting. ▪ Push BS3 one time to validate the change. ▪ Push BS3 again to start operation with the chosen value.

Example:

Checking the content of parameter [2-18] (to activate or deactivate the high static pressure setting of the outdoor unit's fan).

[Mode-Setting]=Value in this case is defined as: Mode=2; Setting=7; Value=the value we want to know/change.

- 1 Make sure the 7-segment display indication is in the default situation (normal operation).
- 2 Push BS1 for more than five seconds.

Result: Mode 2 is accessed: 

- 3 Push BS2 18 times.

Result: Mode 2 setting 18 is addressed: 

- 4 Push BS3 one time. The display shows the status of the setting (depending on the actual field situation). In the case of [2-18], the default value is "0", which means the ventilated enclosure function is deactivated.

Result: Mode 2 setting 18 is addressed and selected, return value is the current setting situation.

- 5 To change the value of the setting, push BS2 till the required value appears on the 7-segment display indication.
- 6 Push BS3 one time to validate the change.
- 7 Push BS3 to start operation according to the chosen setting.
- 8 Push BS1 one time to quit mode 2.

20.1.7 Mode 1: monitoring settings

[1-0]

Shows whether the unit you check is a master, slave 1 or slave 2 unit.

Master, slave 1 and slave 2 indications are relevant in multiple outdoor unit system configurations. The allocation of which outdoor unit is master, slave 1 or slave 2 are decided by the unit's logic.

The master unit should be used to input field settings in mode 2.

[1-0]	Description
No indication	Undefined situation.
0	Outdoor unit is master unit.
1	Outdoor unit is slave 1 unit.
2	Outdoor unit is slave 2 unit.

[1-1]

Shows the status of low noise operation.

Low noise operation reduces the sound generated by the unit compared to nominal operating conditions.

[1-1]	Description
0	Unit is currently not operating under low noise restrictions.
1	Unit is currently operating under low noise restrictions.

Low noise operation can be set in mode 2. There are two methods to activate low noise operation of the outdoor unit system.

- The first method is to enable an automatic low noise operation during night time by field setting. The unit will operate at the selected low noise level during the selected time frames.
- The second method is to enable low noise operation based on an external input. For this operation an optional accessory is required.

[1-2]

Shows the status of power consumption limitation operation.

Power consumption limitation reduces the power consumption of the unit compared to nominal operating conditions.

[1-2]	Description
0	Unit is currently not operating under power consumption limitations.
1	Unit is currently operating under power consumption limitation.

Power consumption limitation can be set in mode 2. There are two methods to activate power consumption limitation of the outdoor unit system.

- The first method is to enable a forced power consumption limitation by field setting. The unit will always operate at the selected power consumption limitation.
- The second method is to enable power consumption limitation based on an external input. For this operation an optional accessory is required.

[1-5] [1-6]

Code	Shows ...
[1-5]	The current T_e target parameter position
[1-6]	The current T_c target parameter position

For more information and advice about the impact of these settings, see "[20.2 Energy saving and optimum operation](#)" [▶ 120].

[1-10]

Shows the total number of connected indoor units.

It can be convenient to check if the total number of indoor units which are installed match the total number of indoor units which are recognised by the system. In case there is a mismatch, it is recommended to check the communication wiring path between outdoor and indoor units (F1/F2 communication line).

[1-13]

Shows the total number of connected outdoor units (in case of multiple outdoor system).

It can be convenient to check if the total number of outdoor units which are installed matches the total number of outdoor units which are recognised by the system. In case there is a mismatch, it is recommended to check the communication wiring path between outdoor and outdoor units (Q1/Q2 communication line).

[1-17] [1-18] [1-19]

Code	Shows ...
[1-17]	The latest malfunction code
[1-18]	The 2nd last malfunction code
[1-19]	The 3rd last malfunction code

When the latest malfunction codes were reset by accident on an indoor unit user interface, they can be checked again through this monitoring settings.

For the content or reason behind the malfunction code see "[24.1 Solving problems based on error codes](#)" [▶ 135], where most relevant malfunction codes are explained. Detailed information about malfunction codes can be consulted in the service manual of this unit.

[1-40] [1-41]

Code	Shows ...
[1-40]	The current cooling comfort setting
[1-41]	The current heating comfort setting

See "20.2 Energy saving and optimum operation" [▶ 120] for more details about this setting.

20.1.8 Mode 2: field settings

[2-0]

Cool/Heat selection setting.

Cool/Heat selection setting is used in case the optional Cool/Heat selector (KRC19-26A and BRP2A81) is used. Depending on the outdoor unit setup (single outdoor unit setup or multi outdoor unit setup), the correct setting should be chosen. More details on how to use the Cool/Heat selector option can be found in the manual of the Cool/Heat selector.

[2-0]	Description
0 (default)	Each individual outdoor unit can select Cool/Heat operation (by Cool/Heat selector if installed), or by defining master indoor user interface (see setting [2-83] and the operation manual).
1	Master unit decides Cool/Heat operation when outdoor units are connected in multiple system combination ^(a) .
2	Slave unit for Cool/Heat operation when outdoor units are connected in multiple system combination ^(a) .

^(a) It is necessary to use the optional external control adaptor for outdoor unit (DTA104A61/62). See the instruction delivered with the adaptor for further details.

[2-8]

T_e target temperature during cooling operation.

[2-8]	T _e target [°C]
0 (default)	Auto
2	6
3	7
4	8
5	9
6	10
7	11

For more information and advice about the impact of these settings, see "20.2 Energy saving and optimum operation" [▶ 120].

[2-9]

T_c target temperature during heating operation.

[2-9]	T _c target (°C)
0 (default)	Auto

[2-9]	T _c target (°C)
1	41
3	43
6	46

For more information and advice about the impact of these settings, see "20.2 Energy saving and optimum operation" [▶ 120].

[2-18]

Fan high static pressure setting.

In order to increase the static pressure the outdoor unit fan is delivering, this setting should be activated. For details about this setting, see technical specifications.

[2-18]	Description
0 (default)	Deactivated.
1	Activated.

[2-20]

Manual additional refrigerant charge.

In order to add the additional refrigerant charge amount in a manual way (without automatic refrigerant charging functionality), following setting should be applied. Further instructions regarding the different ways to charge additional refrigerant into your system can be found in chapter "18.2 About charging refrigerant" [▶ 90].

[2-20]	Description
0 (default)	Deactivated.
1	Activated. To stop the manual additional refrigerant charge operation (when the required additional refrigerant amount is charged), push BS3. If this function was not aborted by pushing BS3, the unit will stop its operation after 30 minutes. If 30 minutes was not sufficient to add the needed refrigerant amount, the function can be reactivated by changing the field setting again.

[2-21]

Refrigerant recovery/vacuumping mode.

In order to achieve a free pathway to reclaim refrigerant out of the system or to remove residual substances or to vacuum the system it is necessary to apply a setting which will open required valves in the refrigerant circuit so the reclaim of refrigerant or vacuumping process can be done properly.

[2-21]	Description
0 (default)	Deactivated.
1	Activated. To stop the refrigerant recovery/vacuumping mode, push BS3. If BS3 is not pushed, the system will remain in refrigerant recovery/vacuumping mode.

[2-22]

Automatic low noise setting and level during night time.

By changing this setting, you activate the automatic low noise operation function of the unit and define the level of operation. Depending on the chosen level, the noise level will be lowered. The start and stop moments for this function are defined under setting [2-26] and [2-27].

[2-22]	Description	
0 (default)	Deactivated	
1	Level 1	Level 3<Level 2<Level 1
2	Level 2	
3	Level 3	

[2-25]

Low noise operation level via the external control adaptor.

If the system needs to be running under low noise operation conditions when an external signal is sent to the unit, this setting defines the level of low noise that will be applied.

This setting will only be effective when the optional external control adaptor (DTA104A61/62) is installed and the setting [2-12] was activated.

[2-25]	Description	
1	Level 1	Level 3<Level 2<Level 1
2 (default)	Level 2	
3	Level 3	

[2-26]

Low noise operation start time.

This setting is used in conjunction with setting [2-22].

[2-26]	Start time automatic low noise operation (approximately)
1	20h00
2 (default)	22h00
3	24h00

[2-27]

Low noise operation stop time.

This setting is used in conjunction with setting [2-22].

[2-27]	Stop time automatic low noise operation (approximately)
1	6h00
2	7h00
3 (default)	8h00

[2-30]

Power consumption limitation level (step 1) via the external control adaptor (DTA104A61/62).

If the system needs to be running under power consumption limitation conditions when an external signal is sent to the unit, this setting defines the level power consumption limitation that will be applied for step 1. The level is according to the table.

[2-30]	Power consumption limitation (approximately)
1	60%
2	65%
3 (default)	70%
4	75%
5	80%
6	85%
7	90%
8	95%

[2-31]

Power consumption limitation level (step 2) via the external control adaptor (DTA104A61/62).

If the system needs to be running under power consumption limitation conditions when an external signal is sent to the unit, this setting defines the level power consumption limitation that will be applied for step 2. The level is according to the table.

[2-31]	Power consumption limitation (approximately)
1 (default)	40%
2	50%
3	55%

[2-32]

Forced, all time, power consumption limitation operation (no external control adaptor is required to perform power consumption limitation).

If the system always needs to be running under power consumption limitation conditions, this setting activates and defines the level power consumption limitation that will be applied continuously. The level is according to the table.

[2-32]	Restriction reference
0 (default)	Function not active.
1	Follows [2-30] setting.
2	Follows [2-31] setting.

[2-81]

Cooling comfort setting.

This setting is used in conjunction with setting [2-8].

[2-81]	Cooling comfort setting
0	Eco
1 (default)	Mild
2	Quick

[2-81]	Cooling comfort setting
3	Powerful

For more information and advice about the impact of these settings, see ["20.2 Energy saving and optimum operation"](#) [▶ 120].

[2-82]

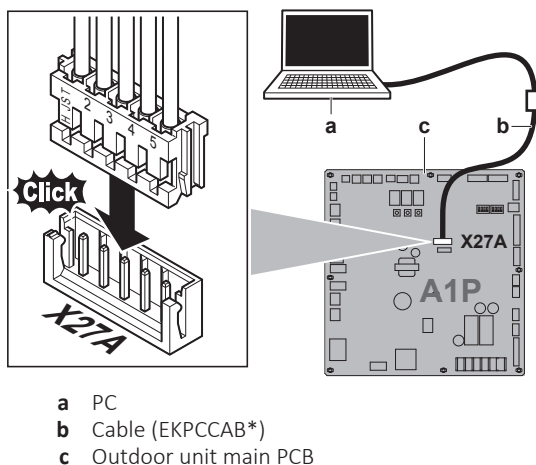
Heating comfort setting.

This setting is used in conjunction with setting [2-9].

[2-82]	Heating comfort setting
0	Eco
1 (default)	Mild
2	Quick
3	Powerful

For more information and advice about the impact of these settings, see ["20.2 Energy saving and optimum operation"](#) [▶ 120].

20.1.9 To connect the PC configurator to the outdoor unit



20.2 Energy saving and optimum operation

Several patterns are available and explained below. Modify the parameters to the needs of your building and to realize the best balance between energy consumption and comfort.

No matter which control is selected, variations on the behaviour of the system are still possible due to protection controls to keep the unit operating under reliable conditions. The intentional target, however, is fixed and will be used to obtain the best balance between energy consumption and comfort, depending on the application type.

20.2.1 Available main operation methods

Basic

The refrigerant temperature is fixed independent from the situation.

To activate this in...	Change...
Cooling operation	[2-8]=2
Heating operation	[2-9]=6

Automatic

The refrigerant temperature is set depending on the outdoor ambient conditions. As such adjusting the refrigerant temperature to match the required load (which is also related to the outdoor ambient conditions).

E.g., when your system is operating in cooling, you do not need as much cooling under low outdoor ambient temperatures (e.g., 25°C) as under high outdoor ambient temperatures (e.g., 35°C). Using this idea, the system automatically starts increasing its refrigerant temperature, automatically reducing the delivered capacity and increasing the system's efficiency.

E.g., when your system is operating in heating, you do not need as much heating under high outdoor ambient temperatures (e.g., 15°C) as under low outdoor ambient temperatures (e.g., -5°C). Using this idea, the system automatically starts decreasing its refrigerant temperature, automatically reducing the delivered capacity and increasing the system's efficiency.

To activate this in...	Change...
Cooling operation	[2-8]=0 (default)
Heating operation	[2-9]=0 (default)

Hi-sensible/economic (cooling/heating)

The refrigerant temperature is set higher/lower (cooling/heating) compared to basic operation. The focus under high sensible mode is comfort feeling for the customer.

The selection method of indoor units is important and has to be considered as the available capacity is not the same as under basic operation.

For details concerning to Hi-sensible applications, please contact your dealer.

To activate this in...	Change...
Cooling operation	[2-8] to the appropriate value, matching the requirements of the pre-designed system containing a high sensible solution.
Heating operation	[2-9] to the appropriate value, matching the requirements of the pre-designed system containing a high sensible solution.

[2-8]	T _e target (°C)
3	7
4	8
5	9
6	10
7	11

[2-9]	T _c target (°C)
1	41

[2-9]	T _c target (°C)
3	43

20.2.2 Available comfort settings

For each of above modes a comfort level can be selected. The comfort level is related to the timing and the effort (energy consumption) which is put in achieving a certain room temperature by temporarily changing the refrigerant temperature to different values in order to achieve requested conditions more quickly.

Powerful

Overshoot (during heating operation) or undershoot (during cooling operation) is allowed compared to the requested refrigerant temperature, in order to achieve the required room temperature very fast. The overshoot is allowed from the start up moment.

When the request from the indoor units becomes more moderate, the system will eventually go to the steady state condition which is defined by the operation method above.

To activate this in...	Change...
Cooling operation	[2-81]=3 This setting is used in conjunction with setting [2-8].
Heating operation	[2-82]=3 This setting is used in conjunction with setting [2-9]

Quick

Overshoot (during heating operation) or undershoot (during cooling operation) is allowed compared to the requested refrigerant temperature, in order to achieve the required room temperature very fast. The overshoot is allowed from the start up moment.

When the request from the indoor units becomes more moderate, the system will eventually go to the steady state condition which is defined by the operation method above.

To activate this in...	Change...
Cooling operation	[2-81]=2 This setting is used in conjunction with setting [2-8].
Heating operation	[2-82]=2 This setting is used in conjunction with setting [2-9].

Mild

Overshoot (during heating operation) or undershoot (during cooling operation) is allowed compared to the requested refrigerant temperature, in order to achieve the required room temperature very fast. The overshoot is not allowed from the start up moment. The start up occurs under the condition which is defined by the operation mode above.

When the request from the indoor units becomes more moderate, the system will eventually go to the steady state condition which is defined by the operation method above.

Note: The start up condition is different from the powerful and quick comfort setting.

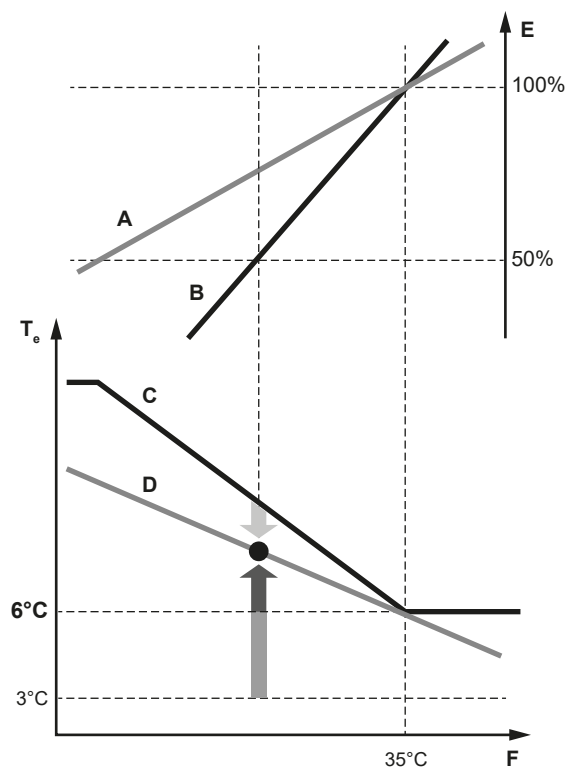
To activate this in...	Change...
Cooling operation	[2-81]=1 This setting is used in conjunction with setting [2-8].
Heating operation	[2-82]=1 This setting is used in conjunction with setting [2-9].

Eco

The original refrigerant temperature target, which is defined by the operation method (see above) is kept without any correction, unless for protection control.

To activate this in...	Change...
Cooling operation	[2-81]=0 This setting is used in conjunction with setting [2-8].
Heating operation	[2-82]=0 This setting is used in conjunction with setting [2-9].

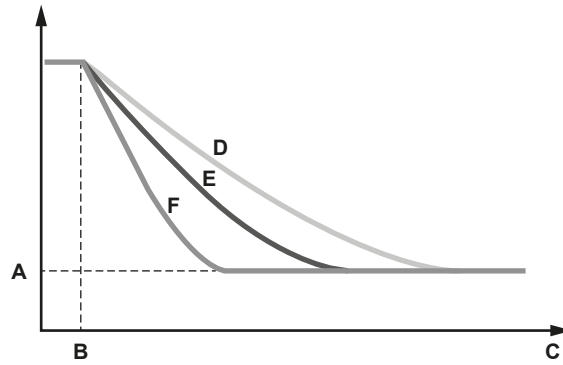
20.2.3 Example: Automatic mode during cooling



- A Actual load curve
- B Virtual load curve (initial capacity automatic mode)
- C Virtual target value (initial evaporation temperature value automatic mode)

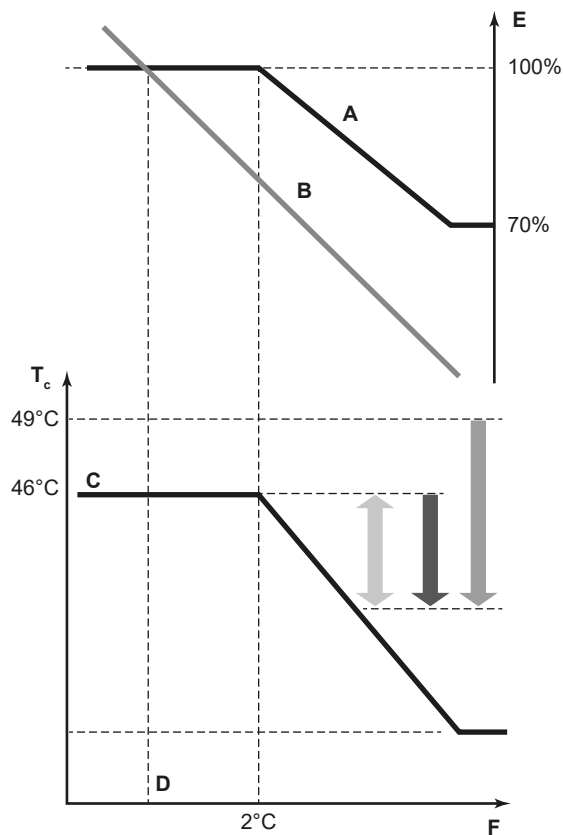
- D Required evaporation temperature value
- E Load factor
- F Outside air temperature
- T_e Evaporating temperature
- Quick
- Powerful
- Mild

Room temperature evolution:



- A Indoor unit set temperature
- B Operation start
- C Operating time
- D Mild
- E Quick
- F Powerful

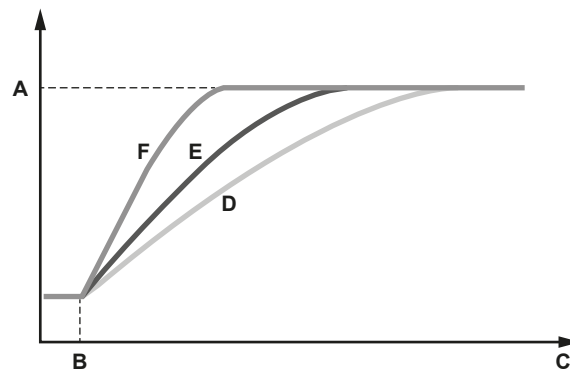
20.2.4 Example: Automatic mode during heating



- A Virtual load curve (default automatic mode peak capacity)
- B Load curve
- C Virtual target value (initial condensation temperature value automatic mode)
- D Design temperature
- E Load factor
- F Outside air temperature

T_c Condensing temperature
 ■ Quick
 ■ Powerful
 ■ Mild

Room temperature evolution:



A Indoor unit set temperature
 B Operation start
 C Operating time
 D Mild
 E Quick
 F Powerful

21 Commissioning



NOTICE

General commissioning checklist. Next to the commissioning instructions in this chapter, a general commissioning checklist is also available on the Daikin Business Portal (authentication required).

The general commissioning checklist is complementary to the instructions in this chapter and can be used as a guideline and reporting template during commissioning and hand-over to the user.

In this chapter

21.1	Overview: Commissioning	126
21.2	Precautions when commissioning	126
21.3	Checklist before commissioning	127
21.4	About the system test run	128
21.5	To perform a test run	129
21.6	Correcting after abnormal completion of the test run	130
21.7	Operating the unit	130

21.1 Overview: Commissioning

After installation and once the field settings are defined, the installer is obliged to verify correct operation. Therefore a test run **MUST** be performed according to the procedures described below.

This chapter describes what you have to do and know to commission the system after it is configured.

Commissioning typically consists of the following stages:

- 1 Checking the "Checklist before commissioning".
- 2 Performing a test run.
- 3 If necessary, correcting errors after abnormal completion of the test run.
- 4 Operating the system.

21.2 Precautions when commissioning



DANGER: RISK OF ELECTROCUTION



DANGER: RISK OF BURNING/SCALDING



CAUTION

Do NOT perform the test operation while working on the indoor units.

When performing the test operation, **NOT ONLY** the outdoor unit, but the connected indoor unit will operate as well. Working on an indoor unit while performing a test operation is dangerous.

**CAUTION**

Do NOT insert fingers, rods or other objects into the air inlet or outlet. Do NOT remove the fan guard. When the fan is rotating at high speed, it will cause injury.

**INFORMATION**

During the first running period of the unit, the required power may be higher than stated on the nameplate of the unit. This phenomenon is caused by the compressor, that needs a continuous run time of 50 hours before reaching smooth operation and stable power consumption.

**NOTICE**

Turn ON the power 6 hours before operation in order to have power running to the crankcase heater and to protect the compressor.

During test operation, the outdoor unit and the indoor units will start up. Make sure that the preparations of all indoor units are finished (field piping, electrical wiring, air purge, ...). See installation manual of the indoor units for details.

21.3 Checklist before commissioning

- 1 After the installation of the unit, check the items listed below.
- 2 Close the unit.
- 3 Power up the unit.

<input type="checkbox"/>	You have read the complete installation and operation instructions described in the installer and user reference guide .
<input type="checkbox"/>	Installation Check that the unit is properly installed, to avoid abnormal noises and vibrations when starting up the unit.
<input type="checkbox"/>	Transportation stay Check that the outdoor unit's transportation stay is removed.
<input type="checkbox"/>	Field wiring Check that the field wiring has been carried out according to the instructions described in the chapter " 19 Electrical installation " [▶ 98], according to the wiring diagrams and according to the applicable national wiring regulation.
<input type="checkbox"/>	Power supply voltage Check the power supply voltage on the local supply panel. The voltage MUST correspond to the voltage on the nameplate of the unit.
<input type="checkbox"/>	Earth wiring Be sure that the earth wires have been connected properly and that the earth terminals are tightened.
<input type="checkbox"/>	Insulation test of the main power circuit Using a megatester for 500 V, check that the insulation resistance of 2 MΩ or more is attained by applying a voltage of 500 V DC between power terminals and earth. NEVER use the megatester for the interconnection wiring.
<input type="checkbox"/>	Fuses, circuit breakers, or protection devices Check that the fuses, circuit breakers, or the locally installed protection devices are of the size and type specified in the chapter " 19.1.5 Safety device requirements " [▶ 102]. Be sure that neither a fuse nor a protection device has been bypassed.

<input type="checkbox"/>	Internal wiring Visually check the switch box and the inside of the unit for loose connections or damaged electrical components.
<input type="checkbox"/>	Pipe size and pipe insulation Be sure that correct pipe sizes are installed and that the insulation work is properly executed.
<input type="checkbox"/>	Stop valves Be sure that the stop valves are open on both liquid and gas side.
<input type="checkbox"/>	Damaged equipment Check the inside of the unit for damaged components or squeezed pipes.
<input type="checkbox"/>	Refrigerant leak Check the inside of the unit on refrigerant leakage. If there is a refrigerant leak, try to repair the leak. If the repair is unsuccessful, call your local dealer. Do not touch any refrigerant which has leaked out from refrigerant piping connections. This may result in frostbite.
<input type="checkbox"/>	Oil leak Check the compressor for oil leakage. If there is an oil leak, try to repair the leak. If the repairing is unsuccessful, call your local dealer.
<input type="checkbox"/>	Air inlet/outlet Check that the air inlet and outlet of the unit is NOT obstructed by paper sheets, cardboard, or any other material.
<input type="checkbox"/>	Additional refrigerant charge The amount of refrigerant to be added to the unit shall be written on the included "Added refrigerant" plate and attached to the rear side of the front cover.
<input type="checkbox"/>	Installation date and field setting Be sure to keep record of the installation date on the sticker on the rear of the upper front panel according to EN60335-2-40 and keep record of the contents of the field setting(s).

21.4 About the system test run



NOTICE

Make sure to carry out the test run after the first installation. Otherwise, the malfunction code **U3** will be displayed on the user interface and normal operation or individual indoor unit test run cannot be carried out.

The procedure below describes the test operation of the complete system. This operation checks and judges following items:

- Check for incorrect wiring (communication check with indoor units).
- Check of the stop valves opening.
- Judgement of piping length.
- Abnormalities on indoor units cannot be checked for each unit separately. After the test operation is finished, check the indoor units one by one by performing a normal operation using the user interface. Refer to the indoor unit installation manual for more details concerning the individual test run.

**INFORMATION**

- It may take 10 minutes to achieve a uniform refrigerant state before the compressor starts.
- During the test operation, the refrigerant running sound or the magnetic sound of a solenoid valve may become loud and the display indication may change. These are not malfunctions.

21.5 To perform a test run

- Close all front panels to prevent misjudgement (except for the switch box inspection cover).
- Make sure all field settings you want are set; see "20.1 Making field settings" [▶ 109].
- Turn ON the power to the outdoor unit and the connected indoor units.

**NOTICE**

Turn ON the power 6 hours before operation in order to have power running to the crankcase heater and to protect the compressor.

- Make sure the default (idle) situation is existing; see "20.1.4 To access mode 1 or 2" [▶ 111]. Push BS2 for 5 seconds or more. The unit will start test operation.

Result: The test operation is automatically carried out, the outdoor unit display will indicate "E01" and the indication "Test operation" and "Under centralised control" will display on the user interface of indoor units.

Steps during the automatic system test run procedure:

Step	Description
E01	Control before start up (pressure equalisation)
E02	Cooling start up control
E03	Cooling stable condition
E04	Communication check
E05	Stop valve check
E06	Pipe length check
E07	Refrigerant amount check
E09	Pump down operation
E10	Unit stop

**INFORMATION**

During the test operation, it is not possible to stop the unit operation from a user interface. To abort the operation, press BS3. The unit will stop after ±30 seconds.

- Check the test operation results on the outdoor unit 7-segment display.

Completion	Description
Normal completion	No indication on the 7-segment display (idle).

Completion	Description
Abnormal completion	Indication of malfunction code on the 7-segment display. Refer to " 21.6 Correcting after abnormal completion of the test run " [▶ 130] to take actions for correcting the abnormality. When the test operation is fully completed, normal operation will be possible after 5 minutes.

21.6 Correcting after abnormal completion of the test run

The test operation is only completed if there is no malfunction code displayed on the user interface or outdoor unit 7-segment display. In case of a displayed malfunction code, perform correcting actions as explained in the malfunction code table. Carry out the test operation again and confirm that the abnormality is properly corrected.



INFORMATION

Refer to the installation manual of the indoor unit for detailed malfunction codes related to indoor units.

21.7 Operating the unit

Once the unit is installed and test operation of outdoor unit and indoor units is finished, the operation of the system can start.

For operating the indoor unit, the user interface of the indoor unit should be switched ON. Refer to the indoor unit operation manual for more details.

22 Hand-over to the user

Once the test run is finished and the unit operates properly, make sure the following is clear for the user:

- Make sure that the user has the printed documentation and ask him/her to keep it for future reference. Inform the user that he can find the complete documentation at the URL mentioned earlier in this manual.
- Explain the user how to properly operate the system and what to do in case of problems.
- Show the user what to do for the maintenance of the unit.

23 Maintenance and service



NOTICE

Maintenance **MUST** be done by an authorised installer or service agent.

We recommend performing maintenance at least once a year. However, applicable legislation might require shorter maintenance intervals.



NOTICE

Applicable legislation on **fluorinated greenhouse gases** requires that the refrigerant charge of the unit is indicated both in weight and CO₂ equivalent.

Formula to calculate the quantity in CO₂ equivalent tonnes: GWP value of the refrigerant × total refrigerant charge [in kg] / 1000

In this chapter

23.1	Maintenance safety precautions.....	132
23.1.1	To prevent electrical hazards.....	132
23.2	About service mode operation.....	133
23.2.1	To use vacuum mode.....	133
23.2.2	To recover refrigerant.....	134

23.1 Maintenance safety precautions



DANGER: RISK OF ELECTROCUTION



DANGER: RISK OF BURNING/SCALDING



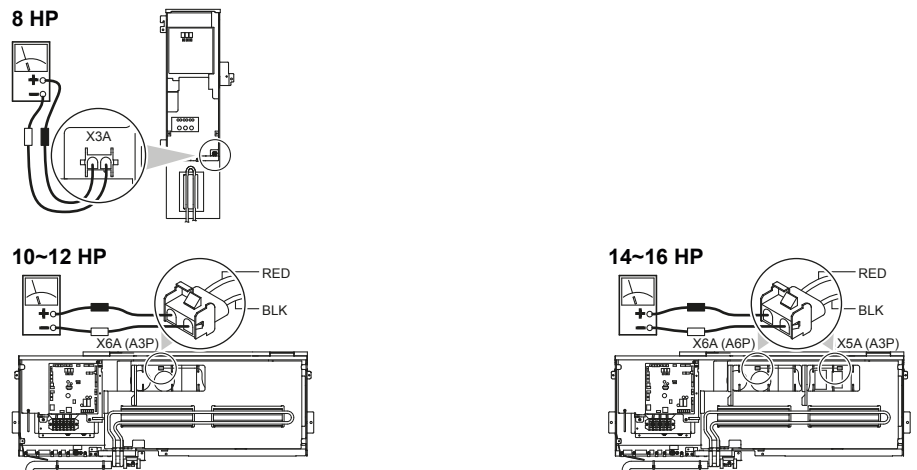
NOTICE: Risk of electrostatic discharge

Before performing any maintenance or service work, touch a metal part of the unit in order to eliminate static electricity and to protect the PCB.

23.1.1 To prevent electrical hazards

When performing service to inverter equipment:

- 1 Do NOT perform electrical work for 10 minutes after turning off the power supply.
- 2 Measure the voltage between terminals on the terminal block for power supply with a tester and confirm that the power supply is shut off. In addition, measure points as shown in the figure, with a tester and confirm that the voltage of the capacitor in the main circuit is less than 50 V DC. If the voltage measured is still higher than 50 V DC, discharge the capacitors in a safe manner by using a dedicated capacitor discharge pen to avoid possibility of sparking.



- 3 To prevent damaging the PCB, touch a non-coated metal part to eliminate static electricity before pulling out or plugging in connectors.
- 4 Pull out junction connectors X1A, X2A for the fan motors in the outdoor unit before starting service operation on the inverter equipment. Be careful NOT to touch the live parts. (If a fan rotates due to strong wind, it may store electricity in the capacitor or in the main circuit and cause electrical shock.)
- 5 After the service is finished, plug the junction connector back in. Otherwise the malfunction code E7 will be displayed on the user interface or on the outdoor unit 7-segment display and normal operation will NOT be performed.

For details refer to the wiring diagram labelled on the back of the switch box/service cover.

Pay attention to the fan. It is dangerous to inspect the unit while the fan is running. Make sure to turn off the main switch and to remove the fuses from the control circuit located in the outdoor unit.


23.2 About service mode operation

Refrigerant recovery operation/vacuuming operation is possible by applying setting [2-21]. Refer to "20.1 Making field settings" [▶ 109] for details how to set mode 2.

When vacuuming/recovery mode is used, check very carefully what should be vacuumed/recovered before starting. See installation manual of the indoor unit for more information about vacuuming and recovery.

23.2.1 To use vacuum mode

- 1 When the unit is at standstill, set the unit in [2-21]=1.

Result: When confirmed, the indoor and outdoor unit expansion valves will fully open. At that moment the 7-segment display indication= $\text{E}7$ and the user interface of all indoor units indicate TEST (test operation) and  (external control) and the operation will be prohibited.
- 2 Evacuate the system with a vacuum pump.
- 3 Press BS3 to stop vacuuming mode.

23.2.2 To recover refrigerant

This should be done with a refrigerant recovery unit. Follow the same procedure as for vacuuming method.



DANGER: RISK OF EXPLOSION

Pump down – Refrigerant leakage. If you want to pump down the system, and there is a leak in the refrigerant circuit:

- Do NOT use the unit's automatic pump down function, with which you can collect all refrigerant from the system into the outdoor unit. **Possible consequence:** Self-combustion and explosion of the compressor because of air going into the operating compressor.
- Use a separate recovery system so that the unit's compressor does NOT have to operate.



NOTICE

Make sure to NOT recover any oil while recovering refrigerant. **Example:** By using an oil separator.

24 Troubleshooting

In this chapter

24.1 Solving problems based on error codes.....	135
24.2 Error codes: Overview	135

24.1 Solving problems based on error codes

In case of a displayed malfunction code, perform correcting actions as explained in the malfunction code table.

After correcting the abnormality, press BS3 to reset the malfunction code and retry operation.

The malfunction code which is displayed on the outdoor unit will indicate a main malfunction code and a sub code. The sub code indicates more detailed information about the malfunction code. The malfunction code will be displayed intermittent.

Example:

Code	Example
Main code	E3
Sub code	-01

With an interval of 1 second, the display will switch between main code and sub code.



INFORMATION

See the service manual for:

- The complete list of error codes
- A more detailed troubleshooting guideline for each error

24.2 Error codes: Overview

In case other error codes appear, contact your dealer.

Main code	Sub code			Cause	Solution
	Master	Slave 1	Slave 2		
E2	-01	-02	-03	Earth leakage detector activated	Restart the unit. If the problem reoccurs, contact your dealer.
	-05	-07	-08	Earth leakage detector malfunction: open circuit) - A1P (X101A)	Check connection on PCB or actuator.

Main code	Sub code			Cause	Solution
	Master	Slave 1	Slave 2		
E3	-01	-03	-05	High pressure switch was activated (S1PH, S2PH) - A1P (X2A, X3A)	Check stop valve situation or abnormalities in (field) piping or airflow over air cooled coil.
	-02	-04	-06	<ul style="list-style-type: none"> Refrigerant overcharge Stop valve closed 	<ul style="list-style-type: none"> Check refrigerant amount+recharge unit. Open stop valves
	-13	-14	-15	Stop valve closed (liquid)	Open liquid stop valve.
		-18		<ul style="list-style-type: none"> Refrigerant overcharge Stop valve closed 	<ul style="list-style-type: none"> Check refrigerant amount+recharge unit. Open stop valves.
E4	-01	-02	-03	Low pressure malfunction: <ul style="list-style-type: none"> Stop valve closed Refrigerant shortage Indoor unit malfunction 	<ul style="list-style-type: none"> Open stop valves. Check refrigerant amount+recharge unit. Check the user interface's display or transmission wiring between the outdoor unit and the indoor unit.
E9	-01	-05	-08	Electronic expansion valve malfunction (main) (Y1E) - A1P (X21A)	Check connection on PCB or actuator.
	-04	-07	-10	Electronic expansion valve malfunction (liquid cooling) (Y3E) - A1P (X23A)	Check connection on PCB or actuator.
	-03	-06	-09	Electronic expansion valve malfunction (subcool) (Y2E) - A1P (X22A)	Check connection on PCB or actuator
F3	-01	-03	-05	Discharge temperature too high (R21T/R22T): <ul style="list-style-type: none"> Stop valve closed Refrigerant shortage 	<ul style="list-style-type: none"> Open stop valves. Check refrigerant amount+recharge unit.
	-20	-21	-22	Compressor casing temperature too high (R8T/R9T): <ul style="list-style-type: none"> Stop valve closed Refrigerant shortage 	<ul style="list-style-type: none"> Open stop valves. Check refrigerant amount+recharge unit.
F6		-02		<ul style="list-style-type: none"> Refrigerant overcharge Stop valve closed 	<ul style="list-style-type: none"> Check refrigerant amount+recharge unit. Open stop valves.
H9	-01	-02	-03	Ambient temperature sensor malfunction (R1T) - A1P (X18A)	Check connection on PCB or actuator.

Main code	Sub code			Cause	Solution
	Master	Slave 1	Slave 2		
J3	-16	-22	-28	Discharge temperature sensor malfunction (R21T): open circuit - A1P (X19A)	Check connection on PCB or actuator.
	-17	-23	-29	Discharge temperature sensor malfunction (R21T): short circuit - A1P (X19A)	Check connection on PCB or actuator.
	-18	-24	-30	Discharge temperature sensor malfunction (R22T): open circuit - A1P (X19A)	Check connection on PCB or actuator.
	-19	-25	-31	Discharge temperature sensor malfunction (R22T): short circuit - A1P (X19A)	Check connection on PCB or actuator.
	-47	-49	-51	Compressor casing temperature sensor malfunction (R8T): open circuit - A1P (X19A)	Check connection on PCB or actuator.
	-48	-50	-52	Compressor casing temperature sensor malfunction (R8T): short circuit - A1P (X19A)	Check connection on PCB or actuator.
	-38	-42	-44	Compressor casing temperature sensor malfunction (R9T): open circuit - A1P (X19A)	Check connection on PCB or actuator.
	-39	-43	-45	Compressor casing temperature sensor malfunction (R9T): short circuit - A1P (X19A)	Check connection on PCB or actuator.
J5	-01	-03	-05	Suction temperature sensor malfunction (R3T) - A1P (X30A)	Check connection on PCB or actuator.
J6	-01	-02	-03	De-icing temperature sensor malfunction (R7T) - A1P (X30A)	Check connection on PCB or actuator.
J7	-06	-07	-08	Liquid temperature sensor (after subcool HE) malfunction (R5T) - A1P (X30A)	Check connection on PCB or actuator.
J8	-01	-02	-03	Liquid temperature sensor (coil) malfunction (R4T) - A1P (X30A)	Check connection on PCB or actuator.
J9	-01	-02	-03	Gas temperature sensor (after subcool HE) malfunction (R6T) - A1P (X30A)	Check connection on PCB or actuator.

Main code	Sub code			Cause	Solution
	Master	Slave 1	Slave 2		
JR	-06	-08	-10	High pressure sensor malfunction (S1NPH): open circuit - A1P (X32A)	Check connection on PCB or actuator.
	-07	-09	-11	High pressure sensor malfunction (S1NPH): short circuit - A1P (X32A)	Check connection on PCB or actuator.
JC	-06	-08	-10	Low pressure sensor malfunction (S1NPL): open circuit - A1P (X31A)	Check connection on PCB or actuator.
	-07	-09	-11	Low pressure sensor malfunction (S1NPL): short circuit - A1P (X31A)	Check connection on PCB or actuator.
LC	-14			Transmission outdoor unit - inverter: INV1 transmission trouble - A1P (X20A, X28A, X40A)	Check connection.
	-19			Transmission outdoor unit - inverter: FAN1 transmission trouble - A1P (X20A, X28A, X40A)	Check connection.
	-24			Transmission outdoor unit - inverter: FAN2 transmission trouble - A1P (X20A, X28A, X40A)	Check connection.
	-30			Transmission outdoor unit - inverter: INV2 transmission trouble - A1P (X20A, X28A, X40A)	Check connection.
PI	-01	-02	-03	INV1 unbalanced power supply voltage	Check if power supply is within range.
	-07	-08	-09	INV2 unbalanced power supply voltage	Check if power supply is within range.
U1	-01	-05	-07	Reversed power supply phase malfunction	Correct phase order.
	-04	-06	-08	Reversed power supply phase malfunction	Correct phase order.
U2	-01	-08	-11	INV1 voltage power shortage	Check if power supply is within range.
	-02	-09	-12	INV1 power phase loss	Check if power supply is within range.
	-22	-25	-28	INV2 voltage power shortage	Check if power supply is within range
	-23	-26	-29	INV2 power phase loss	Check if power supply is within range.

Main code	Sub code			Cause	Solution
	Master	Slave 1	Slave 2		
U3		-02		Warning indication: Leak detection or refrigerant amount check not performed (system operation possible)	Execute autocharge function (see manual); unit not ready for leak detection functionality.
		-03		Malfunction code: System test run not yet executed (system operation not possible)	Execute system test run.
U4		-01		Faulty wiring to Q1/Q2 or indoor - outdoor	Check (Q1/Q2) wiring.
		-03		Faulty wiring to Q1/Q2 or indoor - outdoor	Check (Q1/Q2) wiring.
		-04		System test run abnormal ending	Execute test run again.
U7		-01		Warning: faulty wiring to Q1/Q2	Check Q1/Q2 wiring.
		-02		Malfunction code: faulty wiring to Q1/Q2	Check Q1/Q2 wiring.
		-11		<ul style="list-style-type: none"> ▪ Too many indoor units are connected to F1/F2 line ▪ Bad wiring between outdoor and indoor units 	Check indoor unit amount and total capacity connected.
U9		-01		System mismatch. Wrong type of indoor units combined (R410A, R407C, RA, Hydrobox, etc) Indoor unit malfunction	Check if other indoor units have malfunction and confirm indoor unit mix is allowed.
UR		-03		Connection malfunction over indoor units or type mismatch (R410A, R407C, RA, Hydrobox, etc)	Check if other indoor units have malfunction and confirm indoor unit mix is allowed.
		-18		Connection malfunction over indoor units or type mismatch (R410A, R407C, RA, Hydrobox, etc)	Check if other indoor units have malfunction and confirm indoor unit mix is allowed.
		-31		Wrong unit combination (multi system)	Check if unit types are compatible.
		-49		Wrong unit combination (multi system)	Check if unit types are compatible.
UH		-01		Auto address malfunction (inconsistency)	Check if transmission wired unit amount matches with powered unit amount (by monitor mode) or wait till initialisation is finished.

Main code	Sub code			Cause	Solution
	Master	Slave 1	Slave 2		
UF	-01			Auto address malfunction (inconsistency)	Check if transmission wired unit amount matches with powered unit amount (by monitor mode) or wait till initialisation is finished.
	-05			Stop valve closed or wrong (during system test run)	Open stop valves.
Auto charging related					
P2	—			Unusual low pressure on suction line	<p>Close valve A immediately. Push BS1 to reset. Check following items before retrying autocharge procedure:</p> <ul style="list-style-type: none"> ▪ Check if the gas side stop valve is opened correctly. ▪ Check if the valve of the refrigerant cylinder is opened. ▪ Check if the air inlet and outlet of the indoor unit are not obstructed.
P8	—			Freeze-up prevention indoor unit	Close valve A immediately. Push BS1 to reset. Retry autocharge procedure.
PE	—			Automatic charging nearly finished	Prepare for autocharge stopping.
P9	—			Automatic charging finished	Finish autocharge mode.
Leak detection function related					
E-1	—			Unit is not prepared to execute leak detection operation	Refer to requirements to be able to execute leak detection operation.
E-2	—			Indoor unit is out of temperature range for leak detection operation	Retry when ambient conditions are satisfied.
E-3	—			Outdoor unit is out of temperature range for leak detection operation	Retry when ambient conditions are satisfied.
E-4	—			Too low pressure was noticed during leak detection operation	Restart leak detection operation.
E-5	—			Indicates an indoor unit which is not compatible with leak detection functionality is installed (e.g., RA DX indoor unit, Hydrobox, ...)	Refer to requirements to be able to execute leak detection operation.

25 Disposal

**NOTICE**

Do NOT try to dismantle the system yourself: dismantling of the system, treatment of the refrigerant, oil and other parts **MUST** comply with applicable legislation. Units **MUST** be treated at a specialised treatment facility for reuse, recycling and recovery.

26 Technical data

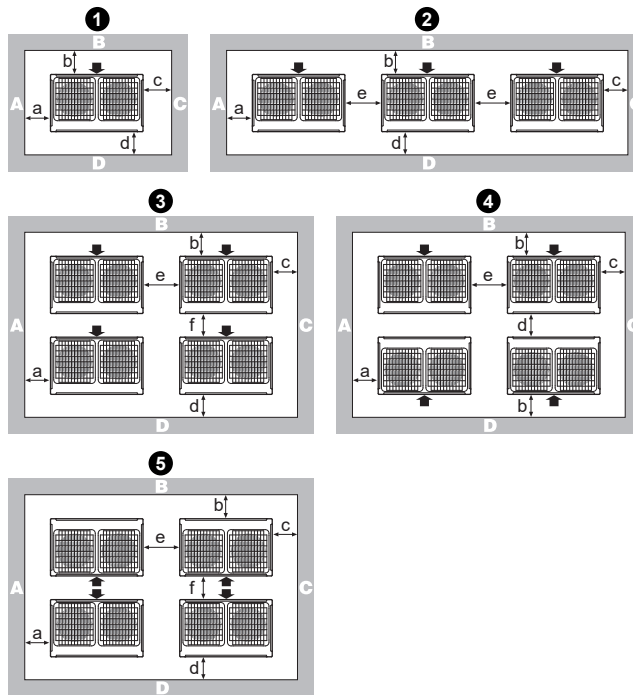
- A **subset** of the latest technical data is available on the regional Daikin website (publicly accessible).
- The **full set** of the latest technical data is available on the Daikin Business Portal (authentication required).

In this chapter

26.1 Service space: Outdoor unit 142
 26.2 Piping diagram: Outdoor unit..... 144
 26.3 Wiring diagram: Outdoor unit..... 146

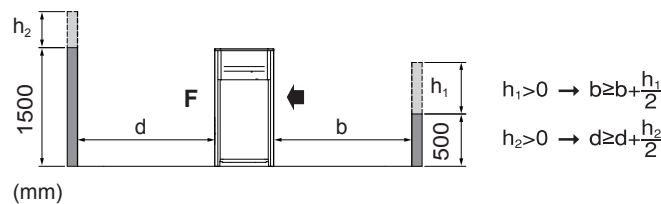
26.1 Service space: Outdoor unit

Make sure the space around the unit is adequate for servicing and the minimum space for air inlet and air outlet is available (refer to the figure below and choose one of the possibilities).



Layout	A+B+C+D		A+B
	Possibility 1	Possibility 2	
❶	a ≥ 10 mm b ≥ 300 mm c ≥ 10 mm d ≥ 500 mm	a ≥ 50 mm b ≥ 100 mm c ≥ 50 mm d ≥ 500 mm	a ≥ 200 mm b ≥ 300 mm
❷	a ≥ 10 mm b ≥ 300 mm c ≥ 10 mm d ≥ 500 mm e ≥ 20 mm	a ≥ 50 mm b ≥ 100 mm c ≥ 50 mm d ≥ 500 mm e ≥ 100 mm	a ≥ 200 mm b ≥ 300 mm e ≥ 400 mm

Layout	A+B+C+D		A+B
	Possibility 1	Possibility 2	
③	$a \geq 10 \text{ mm}$ $b \geq 300 \text{ mm}$ $c \geq 10 \text{ mm}$ $d \geq 500 \text{ mm}$ $e \geq 20 \text{ mm}$ $f \geq 600 \text{ mm}$	$a \geq 50 \text{ mm}$ $b \geq 100 \text{ mm}$ $c \geq 50 \text{ mm}$ $d \geq 500 \text{ mm}$ $e \geq 100 \text{ mm}$ $f \geq 500 \text{ mm}$	—
④	$a \geq 10 \text{ mm}$ $b \geq 300 \text{ mm}$ $c \geq 10 \text{ mm}$ $d \geq 500 \text{ mm}$ $e \geq 20 \text{ mm}$	$a \geq 50 \text{ mm}$ $b \geq 100 \text{ mm}$ $c \geq 50 \text{ mm}$ $d \geq 500 \text{ mm}$ $e \geq 100 \text{ mm}$	—
⑤	$a \geq 10 \text{ mm}$ $b \geq 500 \text{ mm}$ $c \geq 10 \text{ mm}$ $d \geq 500 \text{ mm}$ $e \geq 20 \text{ mm}$ $f \geq 900 \text{ mm}$	$a \geq 50 \text{ mm}$ $b \geq 500 \text{ mm}$ $c \geq 50 \text{ mm}$ $d \geq 500 \text{ mm}$ $e \geq 100 \text{ mm}$ $f \geq 600 \text{ mm}$	—



ABCD Sides along the installation site with obstacles
F Front side
 Suction side

- In case of an installation site where sides A+B+C+D have obstacles, the wall heights of sides A+C have no impact on service space dimensions. Refer to the figure above for impact of wall heights of sides B+D on service space dimensions.
- In case of an installation site where only the sides A+B have obstacles, the wall heights have no influence on any indicated service space dimensions.
- The installation space required on these drawings are for full load heating operation without considering possible ice accumulation. If the location of the installation is in a cold climate, then all dimensions above should be >500 mm to avoid accumulation of ice in between the outdoor units.

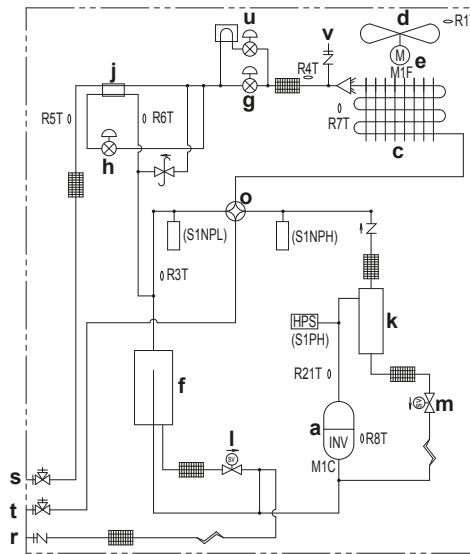


INFORMATION

Further specifications can be found in the technical engineering data.

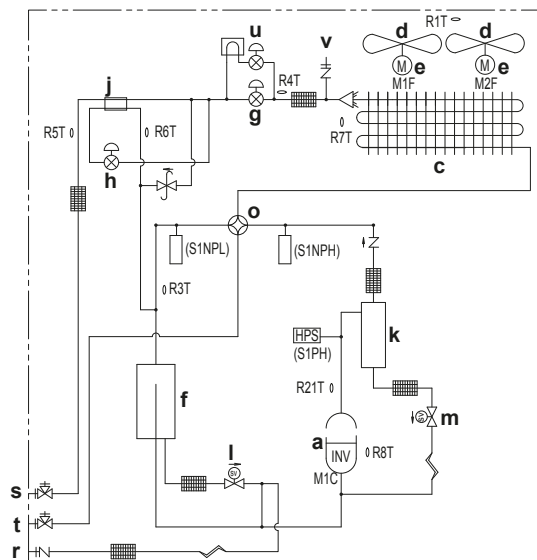
26.2 Piping diagram: Outdoor unit

Piping diagram: RXYTQ8



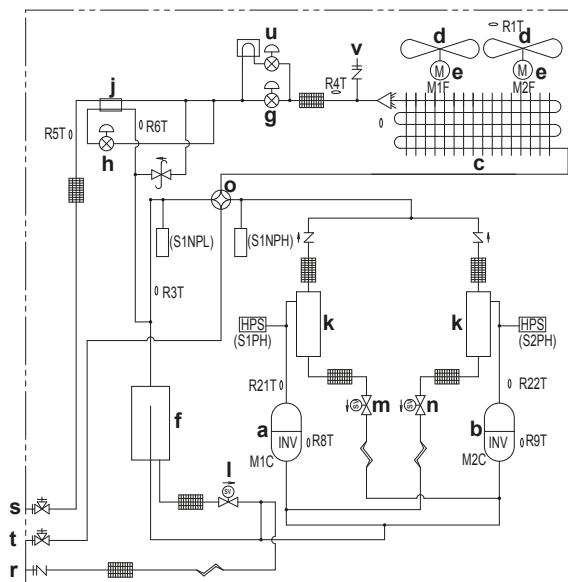
- a** Compressor (M1C)
- b** Compressor (M2C)
- c** Heat exchanger
- d** Fan
- e** Fan motor (M1F, M2F)
- f** Accumulator
- g** Expansion valve, main (Y1E)
- h** Expansion valve, subcool heat exchanger (Y2E)
- i** Expansion valve, storage vessel (Y4E)
- j** Subcool heat exchanger
- k** Oil separator
- l** Solenoid valve, oil accumulator (Y2S)
- m** Solenoid valve, oil1 (Y3S)
- n** Solenoid valve, oil2 (Y4S)
- o** 4-way valve, main (Y1S)
- p** 4-way valve, sub (Y5S)
- q** Electrical component box
- r** Service port, refrigerant charge
- s** Stop valve, liquid
- t** Stop valve, gas
- u** Expansion valve, liquid cooling (Y3E)
- v** Service port

Piping diagram: RXYTQ10+12



- a** Compressor (M1C)
- b** Compressor (M2C)
- c** Heat exchanger
- d** Fan
- e** Fan motor (M1F, M2F)
- f** Accumulator
- g** Expansion valve, main (Y1E)
- h** Expansion valve, subcool heat exchanger (Y2E)
- i** Expansion valve, storage vessel (Y4E)
- j** Subcool heat exchanger
- k** Oil separator
- l** Solenoid valve, oil accumulator (Y2S)
- m** Solenoid valve, oil1 (Y3S)
- n** Solenoid valve, oil2 (Y4S)
- o** 4-way valve, main (Y1S)
- p** 4-way valve, sub (Y5S)
- q** Electrical component box
- r** Service port, refrigerant charge
- s** Stop valve, liquid
- t** Stop valve, gas
- u** Expansion valve, liquid cooling (Y3E)
- v** Service port

Piping diagram: RXYTQ14+16



- a** Compressor (M1C)
- b** Compressor (M2C)
- c** Heat exchanger
- d** Fan
- e** Fan motor (M1F, M2F)
- f** Accumulator
- g** Expansion valve, main (Y1E)
- h** Expansion valve, subcool heat exchanger (Y2E)
- i** Expansion valve, storage vessel (Y4E)
- j** Subcool heat exchanger
- k** Oil separator
- l** Solenoid valve, oil accumulator (Y2S)
- m** Solenoid valve, oil1 (Y3S)
- n** Solenoid valve, oil2 (Y4S)
- o** 4-way valve, main (Y1S)
- p** 4-way valve, sub (Y5S)
- q** Electrical component box
- r** Service port, refrigerant charge
- s** Stop valve, liquid
- t** Stop valve, gas
- u** Expansion valve, liquid cooling (Y3E)
- v** Service port

26.3 Wiring diagram: Outdoor unit

Refer to the wiring diagram sticker on the unit. The abbreviations used are listed below:



INFORMATION

The wiring diagram on the outdoor unit is only for the outdoor unit. For the indoor unit or optional electrical components, refer to the wiring diagram of the indoor unit.

- 1 This wiring diagram applies only to the outdoor unit.
- 2 Symbols (see below).
- 3 When using the optional adapter, refer to the installation manual of the optional adapter
- 4 For connection wiring to indoor–outdoor transmission F1-F2, outdoor-outdoor transmission F1-F2, outdoor-multi transmission Q1-Q2, refer to the installation manual.
- 5 How to use BS1~BS3 switch, refer to the "Service Precaution" label on the electrical component box cover.
- 6 When operating, do NOT short-circuit the protection devices (S1PH).
- 7 Only for RYYQ model
- 8 Only for RYYQ/RYMQ model
- 9 For 8~12 HP: Connector X1A (M1F) is white, connector X2A (M2F) is red.
- 9 For 14~20 HP: Colours (see below).
- 10 Colours (see below).

Symbols:

	Field wiring
	Terminal block
	Connector
	Terminal
	Protective earth
	Noiseless earth
	Earth wiring
	Field supply
	PCB
	Switch box
	Option

Colours:

BLK	Black
RED	Red
BLU	Blue
WHT	White

GRN Green

Legend for wiring diagram 8~12 HP:

A1P	Printed circuit board (main)
A2P	Printed circuit board (noise filter)
A3P	Printed circuit board (inverter)
A4P	Printed circuit board (fan)
A5P	Printed circuit board (ABC I/P) (option)
BS1~BS3 (A1P)	Push button switch (MODE, SET, RETURN)
C* (A3P)	Capacitor
DS1, DS2 (A1P)	DIP switch
E1HC	Crankcase heater
E3H	Drain pan heater (option)
F1U, F2U (A1P)	Fuse (T 3.15 A / 250 V)
F3U	Field fuse
F101U (A4P)	Fuse
F401U, F403U (A2P)	Fuse
F601U, (A3P)	Fuse
HAP (A*P)	Pilot lamp (service monitor is green)
K3R (A3P)	Magnetic relay
K4R (A1P)	Magnetic relay (Y1S)
K5R (A1P)	Magnetic relay (Y2S)
K6R (A1P)	Magnetic relay (E3H)
K7R (A1P)	Magnetic relay (E1HC)
K9R (A1P)	Magnetic relay (Y3S)
K11R (A1P)	Magnetic relay (Y5S)
L1R	Reactor
M1C	Motor (compressor)
M1F	Motor (fan)
PS (A1P, A3P)	Switching power supply
Q1DI	Earth leakage circuit breaker (field supply)
Q1LD (A1P)	Earth current detector (field supply)
R24 (A4P)	Resistor (current sensor)
R300 (A3P)	Resistor (current sensor)
R1T	Thermistor (air)
R3T	Thermistor (accumulator)
R4T	Thermistor (heat exchanger, liquid pipe)
R5T	Thermistor (subcool liquid pipe)

R6T	Thermistor (heat exchanger, gas pipe)
R7T	Thermistor (heat exchanger, de-icer)
R8T	Thermistor (M1C body)
R21T	Thermistor (M1C discharge)
S1NPH	Pressure sensor (high)
S1NPL	Pressure sensor (low)
S1PH	Pressure switch (discharge)
SEG1~SEG3 (A1P)	7-segment display
T1A	Current sensor
V1D (A3P)	Diode
V1R (A3P, A4P)	Power module
X*A	Connector
X1M (A1P)	Terminal block (control)
X1M (A5P)	Terminal block (power supply)(option)
Y1E	Electronic expansion valve (main)
Y2E	Electronic expansion valve (sub-cool)
Y3E	Electronic expansion valve (liquid cooling)
Y4E	Electronic expansion valve (storage vessel)
Y1S	Solenoid valve (main)
Y2S	Solenoid valve (accumulator oil return)
Y3S	Solenoid valve (oil 1)
Y5S	Solenoid valve (subcool)
Z*C	Noise filter (ferrite core)
Z*F (A2P, A5P)	Noise filter (with surge absorber)

Connectors for optional accessories:

X10A	Connector (drainpan heater)
X37A	Connector (power adapter)
X66A	Connector (remote switching COOL/HEAT selector)

Legend for wiring diagram 14~20 HP:

A1P	Printed circuit board (main)
A2P, A5P	Printed circuit board (noise filter)
A3P, A6P	Printed circuit board (inverter)
A4P, A7P	Printed circuit board (fan)
A8P	Printed circuit board (ABC I/P) (option)
BS1~BS3 (A1P)	Push button switch (MODE, SET, RETURN)
C* (A3P, A6P)	Capacitor

DS1 , DS2 (A1P)	DIP switch
E1HC	Crankcase heater
E3H	Drain pan heater (option)
F1U, F2U (A1P)	Fuse (T 3.15 A / 250 V)
F3U	Field fuse
F101U (A4P, A7P)	Fuse
F401U, F403U (A2P, A5P)	Fuse
F601U, (A3P, A6P)	Fuse
HAP (A*P)	Pilot lamp (service monitor is green)
K3R (A3P, A6P)	Magnetic relay
K3R (A1P)	Magnetic relay (Y4S)
K4R (A1P)	Magnetic relay (Y1S)
K5R (A1P)	Magnetic relay (Y2S)
K6R (A1P)	Magnetic relay (E3H)
K7R (A1P)	Magnetic relay (E1HC)
K8R (A1P)	Magnetic relay (E2HC)
K9R (A1P)	Magnetic relay (Y3S)
K11R (A1P)	Magnetic relay (Y5S)
L1R, L2R	Reactor
M1C, M2C	Motor (compressor)
M1F, M2F	Motor (fan)
PS (A1P, A3P, A6P)	Switching power supply
Q1DI	Earth leakage circuit breaker (field supply)
Q1LD (A1P)	Earth current detector (field supply)
R24 (A4P, A7P)	Resistor (current sensor)
R300 (A3P, A6P)	Resistor (current sensor)
R1T	Thermistor (air)
R3T	Thermistor (accumulator)
R4T	Thermistor (heat exchanger, liquid pipe)
R5T	Thermistor (subcool liquid pipe)
R6T	Thermistor (heat exchanger, gas pipe)
R7T	Thermistor (heat exchanger, de-icer)
R8T, R9T	Thermistor (M1C, M2C body)
R21T, R22T	Thermistor (M1C, M2C discharge)

S1NPH	Pressure sensor (high)
S1NPL	Pressure sensor (low)
S1PH, S2PH	Pressure switch (discharge)
SEG1~SEG3 (A1P)	7-segment display
T1A	Current sensor
V1D (A3P)	Diode
V1R (A3P, A4P, A6P, A7P)	Power module
X*A	Connector
X1M (A1P)	Terminal block (control)
X1M (A8P)	Terminal block (power supply)(option)
Y1E	Electronic expansion valve (main)
Y2E	Electronic expansion valve (sub-cool)
Y3E	Electronic expansion valve (liquid cooling)
Y4E	Electronic expansion valve (storage vessel)
Y1S	Solenoid valve (main)
Y2S	Solenoid valve (accumulator oil return)
Y3S	Solenoid valve (oil 1)
Y4S	Solenoid valve (oil 2)
Y5S	Solenoid valve (subcool)
Z*C	Noise filter (ferrite core)
Z*F (A2P)	Noise filter (with surge absorber)

Connectors for optional accessories:

X10A	Connector (drainpan heater)
X37A	Connector (power adapter)
X66A	Connector (remote switching COOL/HEAT selector)

27 Glossary

Dealer

Sales distributor for the product.

Authorised installer

Technical skilled person who is qualified to install the product.

User

Person who is owner of the product and/or operates the product.

Applicable legislation

All international, European, national and local directives, laws, regulations and/or codes that are relevant and applicable for a certain product or domain.

Service company

Qualified company which can perform or coordinate the required service to the product.

Installation manual

Instruction manual specified for a certain product or application, explaining how to install, configure and maintain it.

Operation manual

Instruction manual specified for a certain product or application, explaining how to operate it.

Maintenance instructions

Instruction manual specified for a certain product or application, which explains (if relevant) how to install, configure, operate and/or maintain the product or application.

Accessories

Labels, manuals, information sheets and equipment that are delivered with the product and that need to be installed according to the instructions in the accompanying documentation.

Optional equipment

Equipment made or approved by Daikin that can be combined with the product according to the instructions in the accompanying documentation.

Field supply

Equipment NOT made by Daikin that can be combined with the product according to the instructions in the accompanying documentation.

